

700 STANDARDS & 766/767 BRACKETS SPECIFICATION INFORMATION

This sheet conforms to editorial style prescribed by
The Construction Specifications Institute.

1. PRODUCT NAME

700 Heavy Duty Wall Standard.
766/767 Heavy Duty Shelf Bracket.

For heavy-duty shelving applications for industrial, commercial, and retail use.

2. MANUFACTURER

Reeve Store Equipment Co.
9131 Bermudez St
Pico Rivera, CA 90660
(562) 949-2535
www.reeveco.com

3. PRODUCT DESCRIPTION

Basic Use: 700 Wall Standards and 766/767 Shelf Brackets are manufactured for storage and display applications in retail stores, grocery stores, warehouses, industrial, repair garages, maintenance storage, business office storage, residential storage, and other heavy-load situations. Load rated at 675-1,325 pounds (see chart).

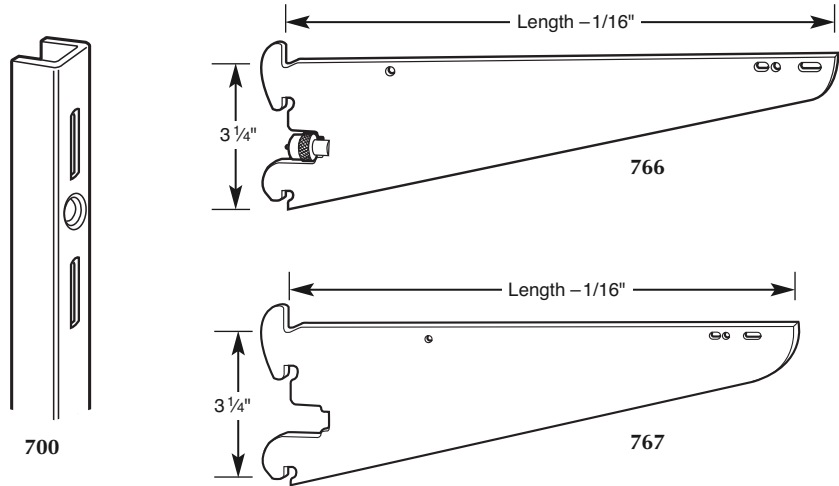
The 766/767 Bracket includes a lock-nut thumbscrew that quickly and firmly secures the bracket in place, to minimize the risk of disengagement.

Recommended screws are #14 x 3" flat head screw.

Other available shelf accessories:

- 743 Left, Center and Right Shelf Rest Clips
- 743 Plastic Left, Center and Right Shelf Rest Clips
- 743 Wide Left, Center and Right Shelf Rest Clips
- 4 Grey Rubber Cushion
- 4-P Clear Plastic Cushion

Shelf rests are recommended for use with 766/767 brackets for anchoring the shelf to the bracket, and for joining two shelves on a single bracket.



REEVE
STORE EQUIPMENT CO. (800) 927-3383

700 Standards:

Product Number	Product Finish	Available in the following lengths (feet):						
		4	5	6	7	8	10	12
700	Brillatone (Satin Zinc)	•	•	•	•	•	•	•
700	Polished Chrome	•	•	•	•	•	•	•

766/767 Brackets:

Product Number	Product Finish	Available in the following lengths (inches):						
		8	10	12	14	16	18	20
766	Brillatone (Satin Zinc)	•	•	•	•	•	•	•
767	Brillatone (Satin Zinc)	•	•	•	•	•	•	•
767	Polished Chrome	•	•	•	•	•	•	•

Key: • = Available

Diecast Hang Rod Attachments:

- 745 Hang Rod Adapter
- 746 Hang Rod Adapter
- 845 Hang Rod Adapter

Hang rod attachments are used with 89-A, 89-B and 225 tubing

Composition and Materials:

11-gauge steel.

Sizes: 700 Standard: 7/8" wide x 5/8" high with 2" slot adjustment.

Stock lengths:

4', 5', 6', 7', 8', 10', and 12'

766/767 Brackets:

766/767 Brackets are 11-gauge x 3 1/4" high; used for shelf depths of 8" to 20".

Reeve Nominal Bracket Size/Load

Bracket	Shelf Depth	Rating (lbs.)
766/767	8"	1100
766/767	10"	1200
766/767	12"	1325
766/767	14"	1130
766/767	16"	900
766/767	18"	675
766/767	20"	960

Finishes: Brillatone (Satin Zinc). Available in other plated and/or powder coated finishes upon request.

REEVE
STORE EQUIPMENT CO. (800) 927-3383

4. TECHNICAL DATA

Applicable Standards: Standards and brackets are tested to meet or exceed ANSI performance standards as established by BHMA in the Reeve recommended application (see load rating chart).

These load limits are intended to be used as general guidelines only, and no warranty (expressed or implied) is made by Reeve, as to the actual results that will be obtained in your specific application.

Results were obtained by laboratory testing in accordance with ANSI/BHMA A156.16 performance standard. In addition, Reeve's standards and brackets have been approved by the **Woodwork Institute (WI)** as meeting or exceeding their performance standards. Testing performed by **Underwriters Laboratories (UL)**. (Load ratings based on standards being mounted to wood wall studs on 16" centers. Wider spacing will result in reduced load capacity.) Actual results may vary. Actual use conditions will typically result in lower load capacity than laboratory conditions.

Representative testing in a fully configured application is the only way to assure proper performance, durability, and safety. Contact Reeve for verification testing service of your specific application.

Environmental Considerations:

Environment: Excessive humidity, salts, or other chemical agents can corrode the finish and attack metal.

Fastening: Inadequate or incorrect fasteners can result in the standard pulling loose and causing damage.

Alignment: Improper standard/bracket alignment can result in a shelving system that is ineffective and unsafe.

5. INSTALLATION

For maximum loading capacity, standards should be mounted directly to wall studs, which are

generally found at 16" intervals. (If standards will not be mounted to studs, use appropriate wall anchors.)

Use the recommended fasteners (#14 x 3" flat head screws) in all holes to properly secure the standard. Use other proper fasteners if installing to substrate other than wood stud. Prior to drilling all holes, check to be sure that the standard is vertically level.

Place the bracket into the standard slots. Engage the lock-nut thumbscrew into the locking position. To reconfigure, unlock the thumbscrew, then remove the bracket from the standard.

6. AVAILABILITY AND COST

Availability: Reeve products are available from stocking distributors and through Reeve Representatives worldwide.

Cost: Current pricing is available from area Reeve Representatives. Please call for the nearest representative: (800) 927-3383.

7. WARRANTY

Limited Lifetime Warranty:

Reeve warrants that goods manufactured and sold by it are free from defects in material or workmanship at the time sold by Reeve. Complete warranty details are available upon request. Reeve's liability shall be limited to repair or replacement upon written notice to the company within 30 days of the discovery of defective condition. Reeve expressly disclaims all other warranties, including any warranty of merchantability or fitness for a particular purpose. Reeve will not be liable for incidental or consequential loss or damage due to improper application or installation.

8. MAINTENANCE

700 Wall Standards and 766/767 Shelf Brackets require no maintenance. Inspect for proper fit

periodically, and adjust when necessary. Replace as required or recommended by application.

9. TECHNICAL SERVICES

Reeve and area representatives can assist with any application. For further information, or for the name of the representative nearest you, please call Reeve Customer Service: (800) 927-3383. Or visit our website at: www.reeveco.com.

10. FILING SYSTEMS

Additional product information, data sheets, application sheets, and a full catalog are available for all installations upon request from Reeve.

40 STANDARDS & 41 BRACKETS SPECIFICATION INFORMATION

This sheet conforms to editorial style prescribed by
The Construction Specifications Institute.

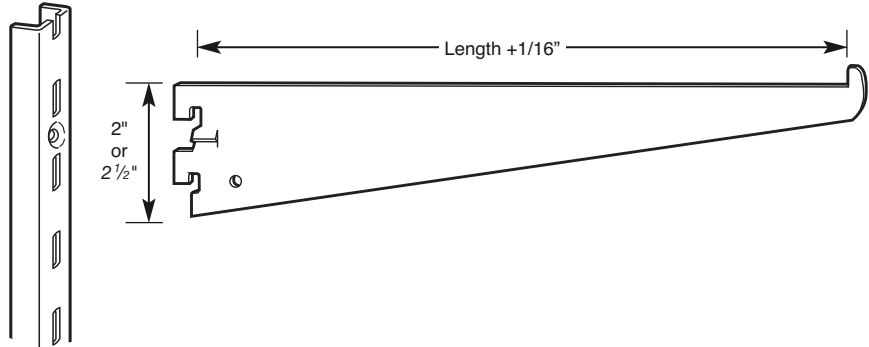
1. PRODUCT NAME

40 Wall Standard.
41 Shelf Bracket.

For shelving applications for light industrial, commercial, retail, and residential use.

2. MANUFACTURER

Reeve Store Equipment Co.
9131 Bermudez St
Pico Rivera, CA 90660
(562) 949-2535
www.reeveco.com



3. PRODUCT DESCRIPTION

Basic Use: 40 Wall Standards and 41 Shelf Brackets are manufactured for storage and display applications in retail stores, grocery stores, light warehouses, light industrial, repair garages, maintenance storage, business office storage, and residential storage. Load rated at 130-350 pounds per pair (see load rating chart).

40 Standards mount to most wall types. 41 Brackets are fully adjustable in 1" increments.

Recommended screws are #7 x 1½" long screw.

Composition and Materials:

40 standard = 16-gauge cold rolled steel

41 bracket = 13-14-gauge cold rolled steel

Sizes: 40 Standards: 1½" wide x 7/16" high with 1" slot adjustment.

Stock lengths: 2', 2½', 3', 4', 5', 6', 7', 8' and 10'.

41 Brackets: 2 – 2½" high; use for shelf depths of 4", 6", 8", 10", 12", 14", 16", 18", and 20".

Finishes: Brillatone (Satin Zinc) or Brasstone (electro-plated steel). Available in other plated and/or powder coated finishes upon request.

40 Standards:

Product Number	Product Finish	Available in the following lengths (feet):								
		2	2½	3	4	5	6	7	8	10
40	Brillatone (Satin Zinc)	•	•	•	•	•	•	•	•	•
40	Brasstone	•	•	•	•	•	•	•	•	•

41 Brackets:

Product Number	Product Finish	Available in the following lengths (inches):								
		4	6	8	10	12	14	16	18	20
41	Brillatone (Satin Zinc)	•	•	•	•	•	•	•	•	•
41	Brasstone	•	•	•	•	•	•	•	•	•

Key: • = Available

4. TECHNICAL DATA

Applicable Standards: Standards and brackets are tested to meet or exceed ANSI performance standards as established by BHMA in the Reeve recommended application (see load rating chart).

These load limits are intended to be used as general guidelines only, and no warranty — expressed or implied — is made by Reeve.

Results were obtained by laboratory testing in accordance with ANSI/BHMA A156.16 performance standard. In addition, Reeve's standards and brackets have been approved by the **Woodwork Institute (WI)** as meeting or exceeding their performance standards. Testing performed by

Reeve Nominal Bracket Size/Load

Bracket	Shelf Depth	Rating (lbs.)
41	4"	N/A
41	6"	N/A
41	8"	350
41	10"	260
41	12"	210
41	14"	210
41	16"	210
41	18"	175
41	20"	130

Underwriters Laboratories (UL).

(Load ratings based on standards being mounted on 16" centers. Wider spacing will result in reduced load capacity.) Actual results may vary. Actual use conditions will typically result in lower load capacity than laboratory conditions.

Representative testing in a fully configured application is the only way to assure proper performance, durability, and safety. Contact Reeve for verification testing service of your specific application.

Environmental Considerations:

Environment: Excessive humidity, salts, or other chemical agents can corrode the finish and attack metal.

Fastening: Inadequate or incorrect fasteners can result in the standard pulling loose and causing damage.

Alignment: Improper standard/bracket alignment can result in a shelving system that is ineffective and unsafe.

5. INSTALLATION

For maximum loading capacity, standards should be mounted directly to wall studs, which are generally found at 16" intervals. (If standards will not be mounted to studs, use appropriate wall anchors.)

Use the recommended fasteners (#7 x 1½" screws) in all holes to properly secure the standard. Use other proper fasteners if installing to substrate other than wood stud. Prior to drilling all holes, check to be sure that the standard is vertically level.

Place the bracket into the standard slots. Using a rubber mallet, tap lightly near the bracket's base. The bracket will snap into place.

6. AVAILABILITY AND COST

Availability: Reeve products are available from stocking distributors and through Reeve Representatives worldwide.

Cost: Current pricing is available from area Reeve Representatives. Please call for the nearest representative: (800) 927-3383.

7. WARRANTY

Limited Lifetime Warranty:

Reeve warrants that goods manufactured and sold by it are free from defects in material or workmanship at the time sold by Reeve. Complete warranty details are available upon request.

Reeve's liability shall be limited to repair or replacement upon written notice to the company within 30 days of the discovery of defective condition. Reeve expressly disclaims all other warranties, including any warranty of merchantability or fitness for a particular purpose. Reeve will not be liable for incidental or consequential loss or damage due to improper application or installation.

8. MAINTENANCE

40 Wall Standards and 41 Shelf Brackets require no maintenance. Inspect for proper fit periodically, and adjust when necessary. Replace as required or recommended by application.

9. TECHNICAL SERVICES

Reeve and area representatives can assist with any application. For further information, or for the name of the representative nearest you, please call Reeve Customer Service: (800) 927-3383. Or visit our website at: www.reeveco.com.

10. FILING SYSTEMS

Additional product information, data sheets, application sheets, and a full catalog are available for all installations upon request from Reeve.

20 STANDARDS & 81 BRACKETS SPECIFICATION INFORMATION

This sheet conforms to editorial style prescribed by
The Construction Specifications Institute.

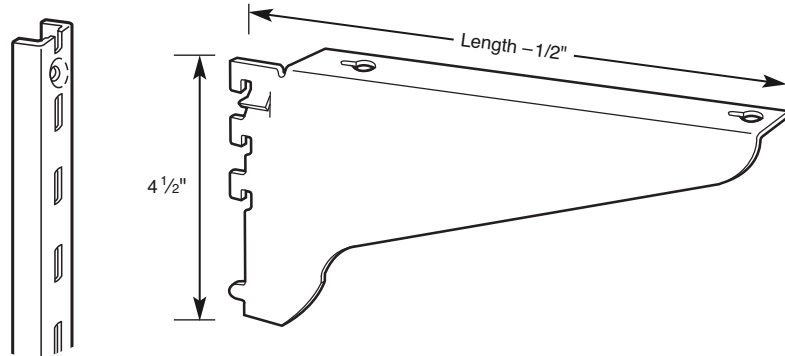
1. PRODUCT NAME

20 Wall Standard.
81 Shelf Bracket.

For shelving applications for industrial, commercial, retail, and residential use.

2. MANUFACTURER

Reeve Store Equipment Co.
9131 Bermudez St
Pico Rivera, CA 90660
(562) 949-2535
www.reeveco.com



3. PRODUCT DESCRIPTION

Basic Use: 20 Wall Standards and 81 Shelf Brackets are manufactured for storage and display applications in retail stores, grocery stores, warehouses, industrial, repair garages, maintenance storage, business office storage, and residential storage. Load rated at 200-450 pounds per pair (see load rating chart).

20 Standards mount to most wall types. 81 Brackets are fully adjustable in 1" increments.

81 Brackets are available in left, right and center options. Designate "L" "R" or "C" when ordering. Bracket shown is a left bracket.

Recommended screws are #7 x 1 1/2" long screw.

Composition and Materials:

20 standard = 13-16-gauge cold rolled steel

81 bracket = 13-14-gauge cold rolled steel

Sizes: 20 Standards: 1 1/16" wide x 1 3/32" high with 1" slot adjustment.

Stock lengths: 4', 5', 6', 7', 8' and 10'.

81 Brackets: 4 1/2" high; use for shelf depths of 5", 8", 10", 12", 14", 16", 18", 20", 22" and 24".

Finishes: Brillatone (Satin Zinc). Available in other plated and/or powder coated finishes upon request.

20 Standards:

Product Number	Finish	Available in the following lengths (feet):					
		4	5	6	7	8	10
20	Brillatone (Satin Zinc)	●	●	●	●	●	●

81 Brackets:

Product Number	Finish	Available in the following lengths (inches):									
		5	8	10	12	14	16	18	20	22	24
81	Brillatone (Satin Zinc)	●	●	●	●	●	●	●	●	●	●

Key: ● = Available

4. TECHNICAL DATA

Applicable Standards: Standards and brackets are tested to meet or exceed ANSI performance standards as established by BHMA in the Reeve recommended application (see load rating chart).

These load limits are intended to be used as general guidelines only, and no warranty — expressed or implied — is made by Reeve.

Results were obtained by laboratory testing in accordance with ANSI/BHMA A156.16 performance standard. In addition, Reeve's standards and brackets have been approved by the **Woodwork Institute (WI)** as meeting or exceeding their performance standards. Testing performed by

Reeve Nominal Bracket Size/Load

Bracket	Shelf Depth	Rating (lbs.)
81	5"	N/A
81	8"	N/A
81	10"	450
81	12"	420
81	14"	420
81	16"	420
81	18"	375
81	20"	325
81	22"	280
81	24"	200

Underwriters Laboratories (UL).

(Load ratings based on standards being mounted on 16" centers. Wider spacing will result in reduced load capacity.) Actual results may vary. Actual use conditions will typically result in lower load capacity than laboratory conditions.

Representative testing in a fully configured application is the only way to assure proper performance, durability, and safety. Contact Reeve for verification testing service of your specific application.

Environmental Considerations:

Environment: Excessive humidity, salts, or other chemical agents can corrode the finish and attack metal.

Fastening: Inadequate or incorrect fasteners can result in the standard pulling loose and causing damage.

Alignment: Improper standard/bracket alignment can result in a shelving system that is ineffective and unsafe.

5. INSTALLATION

For maximum loading capacity, standards should be mounted directly to wall studs, which are generally found at 16" intervals. (If standards will not be mounted to studs, use appropriate wall anchors.)

Use the recommended fasteners (#7 x 1½" screws) in all holes to properly secure the standard. Use other proper fasteners if installing to substrate other than wood stud. Prior to drilling all holes, check to be sure that the standard is vertically level.

Place the bracket into the standard slots. Using a rubber mallet, tap lightly near the bracket's base. The bracket will snap into place.

6. AVAILABILITY AND COST

Availability: Reeve products are available from stocking distributors and through Reeve Representatives worldwide.

Cost: Current pricing is available from area Reeve Representatives. Please call for the nearest representative: (800) 927-3383.

7. WARRANTY

Limited Lifetime Warranty:

Reeve warrants that goods manufactured and sold by it are free from defects in material or workmanship at the time sold by Reeve. Complete warranty details are available upon request.

Reeve's liability shall be limited to repair or replacement upon written notice to the company within 30 days of the discovery of defective condition. Reeve expressly disclaims all other warranties, including any warranty of merchantability or fitness for a particular purpose. Reeve will not be liable for incidental or consequential loss or damage due to improper application or installation.

8. MAINTENANCE

20 Wall Standards and 81 Shelf Brackets require no maintenance. Inspect for proper fit periodically, and adjust when necessary. Replace as required or recommended by application.

9. TECHNICAL SERVICES

Reeve and area representatives can assist with any application. For further information, or for the name of the representative nearest you, please call Reeve Customer Service: (800) 927-3383. Or visit our website at: www.reeveco.com.

10. FILING SYSTEMS

Additional product information, data sheets, application sheets, and a full catalog are available for all installations upon request from Reeve.

44 STANDARDS & 485 BRACKETS SPECIFICATION INFORMATION

This sheet conforms to editorial style prescribed by
The Construction Specifications Institute.

1. PRODUCT NAME

44 Wall Standard.
485 Shelf Bracket.

For shelving applications for industrial, commercial, retail, and residential use.

2. MANUFACTURER

Reeve Store Equipment Co.
9131 Bermudez St
Pico Rivera, CA 90660
(562) 949-2535
www.reeveco.com

3. PRODUCT DESCRIPTION

Basic Use: 44 Wall Standards and 485 Shelf Brackets are manufactured for storage and display applications in retail stores, grocery stores, warehouses, industrial, repair garages, maintenance storage, business office storage, residential storage, and other heavy-load situations. Load rated at 145-385 pounds.

Recommended screws are #10 x 3" flat head screw.

Composition and Materials:

44 standard = 14-gauge cold rolled steel.

485 bracket = 13-14-gauge cold rolled steel.

Sizes: 44 Standards:

1 1/4" wide x 1/2" high with 1" slot adjustment.

Stock lengths: 2', 2.5', 3', 4', 5', 6', 7', 8', and 10'.

485 Brackets: 485 Brackets are used for shelf depths of 8", 10", 12", 14", 16", 18", 20", 22", and 24".

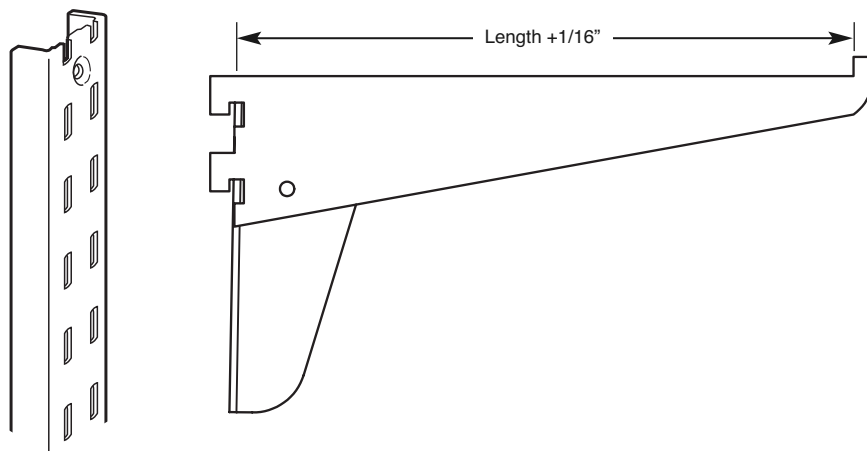
Finishes: Brillatone (Satin Zinc).

Available in other plated and/or powder coated finishes upon request.

4. TECHNICAL DATA

Applicable Standards:

Standards and brackets are tested to meet or exceed ANSI performance



44 Standards:

Product Number	Product Finish	Available in the following lengths (feet):								
		2	2 1/2	3	4	5	6	7	8	10
44	Brillatone (Satin Zinc)	●	●	●	●	●	●	●	●	●
44	Brass	●	●	●	●	●	●	●	●	●

485 Brackets:

Product Number	Product Finish	Available in the following lengths (inches):								
		8	10	12	14	16	18	20	22	24
485	Brillatone (Satin Zinc)	●	●	●	●	●	●	●	●	●

Key: ● = Available

standards as established by BHMA in the Reeve recommended application.

These load limits are intended to be used as general guidelines only, and no warranty (expressed or implied) is made by Reeve, as to the actual results that will be obtained in your specific application.

Results were obtained by laboratory testing in accordance with ANSI/BHMA A156.16 performance standard. In addition, Reeve's standards and brackets have been approved by the **Woodwork Institute (WI)** as meeting or exceeding their performance standards. Testing performed by **Underwriters Laboratories (UL)**. (Load ratings based

on standards being mounted to wood wall studs on 16" centers. Wider spacing will result in reduced load capacity.) Actual results may vary. Actual use conditions will typically result in lower load capacity than laboratory conditions.

Representative testing in a fully configured application is the only way to assure proper performance, durability, and safety. Contact Reeve for verification testing service of your specific application.

Environmental Considerations:

Environment: Excessive humidity, salts, or other chemical agents can corrode the finish and attack metal.

REEVE
 STORE EQUIPMENT CO.
 (800) 927-3383

REEVE
 STORE EQUIPMENT CO.
 (800) 927-3383

Fastening: Inadequate or incorrect fasteners can result in the standard pulling loose and causing damage.

Alignment: Improper standard/bracket alignment can result in a shelving system that is ineffective and unsafe.

5. INSTALLATION

For maximum loading capacity, standards should be mounted directly to wall studs, which are generally found at 16" intervals. (If standards will not be mounted to studs, use appropriate wall anchors.)

Use the recommended fasteners (#10 x 3" flat head screws) in all holes to properly secure the standard. Use other proper fasteners if installing to substrate other than wood stud. Prior to drilling all holes, check to be sure that the standard is vertically level.

Place the bracket into the standard slots. Using a rubber mallet, tap lightly near the bracket's base. The bracket will snap into place.

6. AVAILABILITY AND COST

Availability: Reeve products are available from stocking distributors and through Reeve Representatives worldwide.

Cost: Current pricing is available from area Reeve Representatives. Please call for the nearest representative: (800) 927-3383.

7. WARRANTY

Limited Lifetime Warranty:

Reeve warrants that goods manufactured and sold by it are free from defects in material or workmanship at the time sold by Reeve. Complete warranty details are available upon request. Reeve's liability shall be limited to repair or replacement upon written notice to the company within 30 days of the discovery of defective condition. Reeve expressly disclaims all other

warranties, including any warranty of merchantability or fitness for a particular purpose. Reeve will not be liable for incidental or consequential loss or damage due to improper application or installation.

8. MAINTENANCE

44 Wall Standards and 485 Shelf Brackets require no maintenance. Inspect for proper fit periodically, and adjust when necessary. Replace as required or recommended by application.

9. TECHNICAL SERVICES

Reeve and area representatives can assist with any application. For further information, or for the name of the representative nearest you, please call Reeve Customer Service: (800) 927-3383. Or visit our website at: www.reeveco.com.

10. FILING SYSTEMS

Additional product information, data sheets, application sheets, and a full catalog are available for all installations upon request from Reeve.