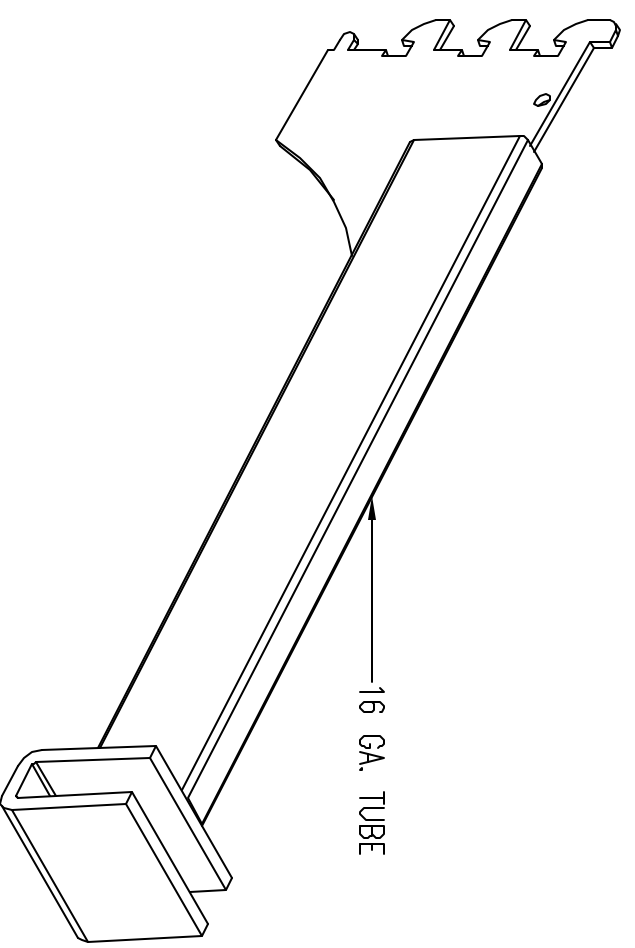
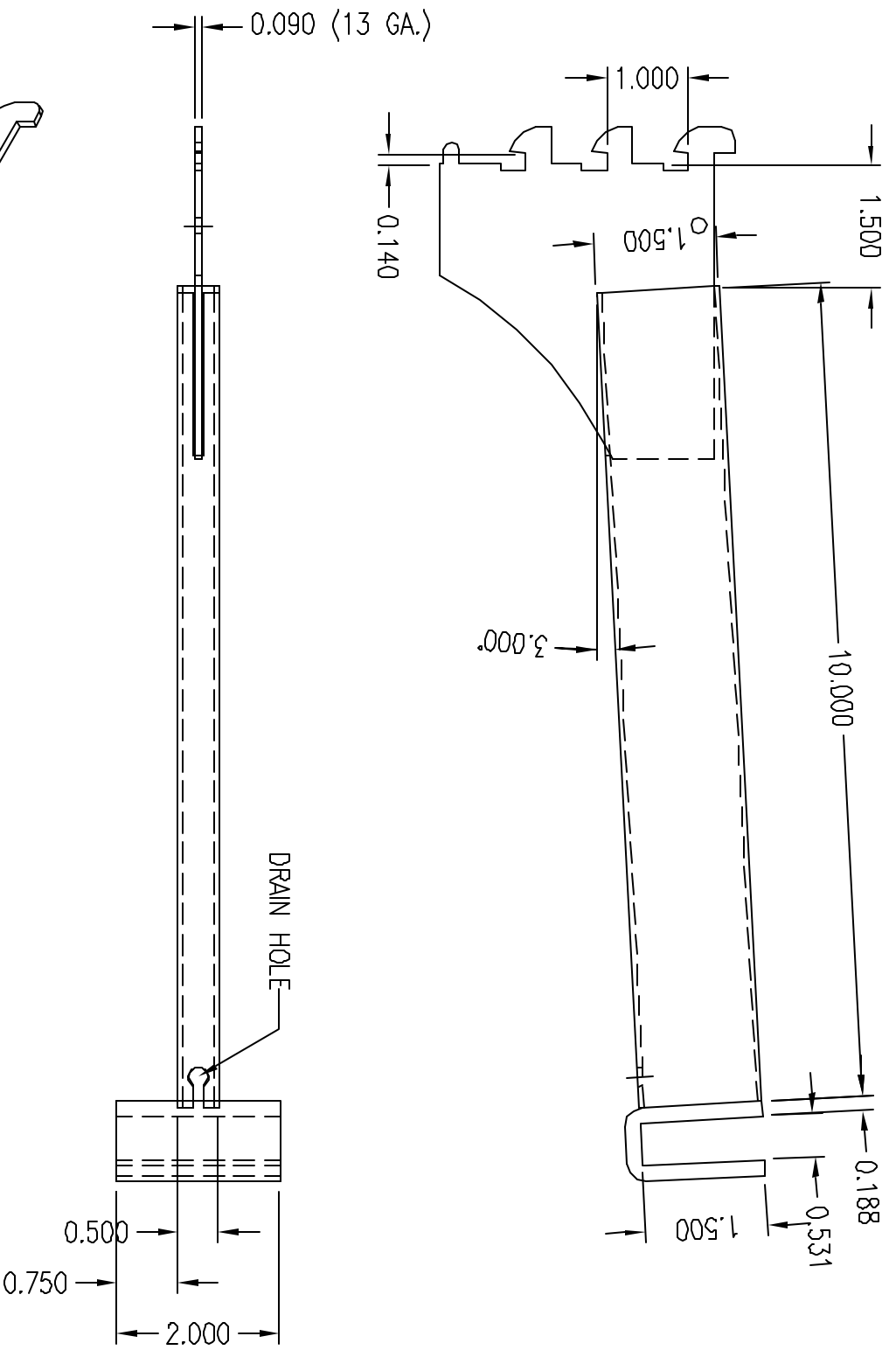


REVISIONS				
REV.	DESCRIPTION	E.C.O. NO.	DATE	APPROVED
XX		XX	XX	



THIS DRAWING IS THE EXCLUSIVE PROPERTY OF REBE STORE EQUIPMENT CO. ANY HOLDER AND MAINTAINS FULL COPYRIGHT PROTECTION UNDER FEDERAL AND STATE LAW. THIS DRAWING CANNOT BE REPRODUCED, PHOTOCOPIED, INSTANTLY TRANSMITTED, OR REPRODUCED WITHOUT THE EXPRESS WRITTEN CONSENT OF REBE STORE EQUIPMENT CO. COPYRIGHT © 2004, 2003, 2002, 2001, 2000. ALL RIGHTS RESERVED.

UNLESS OTHERWISE SPECIFIED DIMENSIONS ARE IN INCHES TOLERANCES ARE:		CUSTOMER		TITLE	
FRACTIONS: ± 1/32	DECIMALS: .XX ±.01 XXX ±.005	ANGLES: ± 1/2°	APPROVALS	DATE	REBEVE STORE EQUIPMENT CO. Pico Rivera, CA. (562) 949-2535 I-NS0027, 10'
FINISH			DRWN	10-09-06	
SATIN NICKEL W/CLEAR COAT			CHKD.		SIZE
DO NOT SCALE DRAWING			APPD.		B
			QUOTE NO.	N/A	DWG. NO.
					I-NS0027
					SCALE: N.T.S.
					SHEET: 1 OF 1
					REV. -