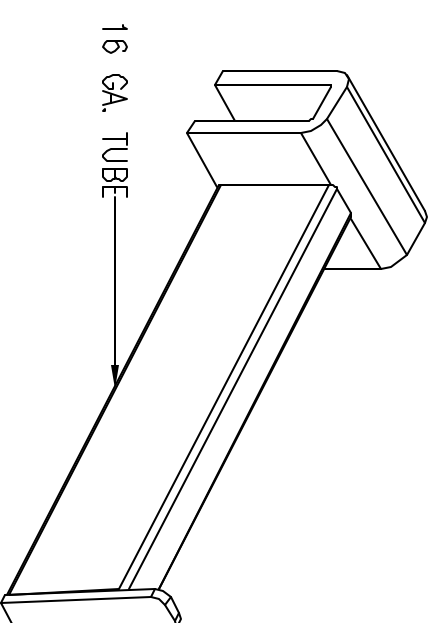
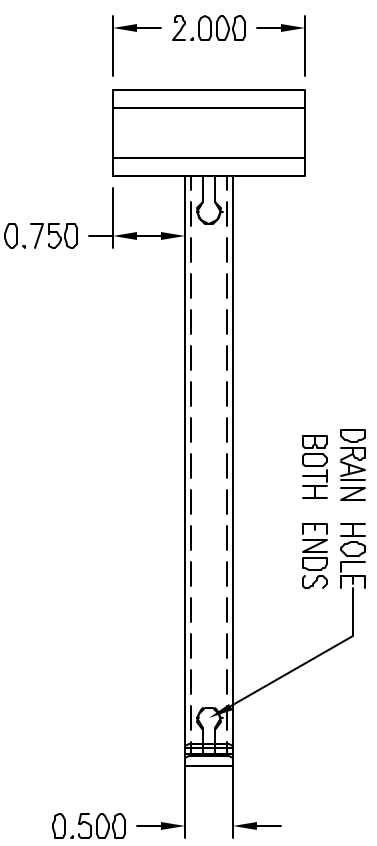
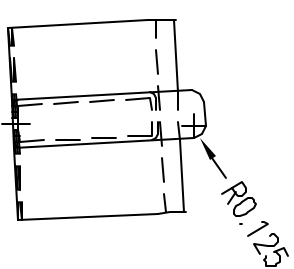
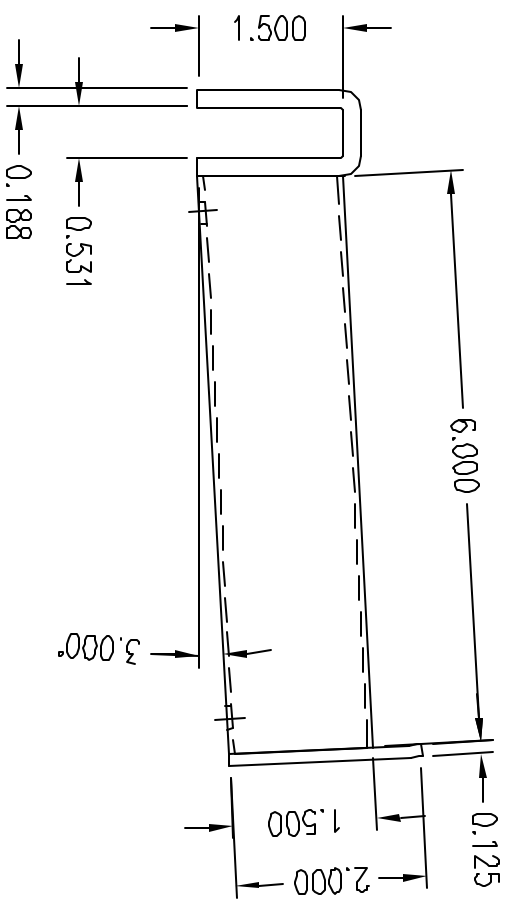


REVISIONS				
REV.	DESCRIPTION	E.C.O. NO.	DATE	APPROVED
XX	XX	XX	XX	



THIS DRAWING IS THE EXCLUSIVE PROPERTY OF REBE STORE EQUIPMENT CO. WHO HOLDS AND MAINTAINS FULL COPYRIGHT PROTECTION UNDER FEDERAL AND STATE LAW. THIS DRAWING CANNOT BE DISSEMINATED, PHOTOCOPIED, REPRODUCED, OR REPRODUCED WITHOUT THE EXPRESS WRITTEN CONSENT OF REBE STORE EQUIPMENT CO. COPYRIGHT © 2004, 2003, 2002, 2001, 2000. ALL RIGHTS RESERVED.

UNLESS OTHERWISE SPECIFIED DIMENSIONS ARE IN INCHES TOLERANCES ARE:		CUSTOMER		—	
FRACTIONS: ± 1/32	DECIMALS: .XX ±.01 .XXX ±.005	ANGLES: ± 1/2°	APPROVALS	DATE	
FINISH: SATIN NICKEL W/CLEAR COAT			<i>dmr</i>	09-29-06	
DO NOT SCALE DRAWING			APVD.	CHKD.	
			QUOTE NO.	N/A	
TITLE			REBEVE STORE EQUIPMENT CO. Pico Rivera, CA. (562) 949-2535 I-NS0032, 0'		
SIZE: B	DWG. NO.	I-NS0032		REV.	-
SCALE: N.T.S.	SHEET: 1 OF 1				