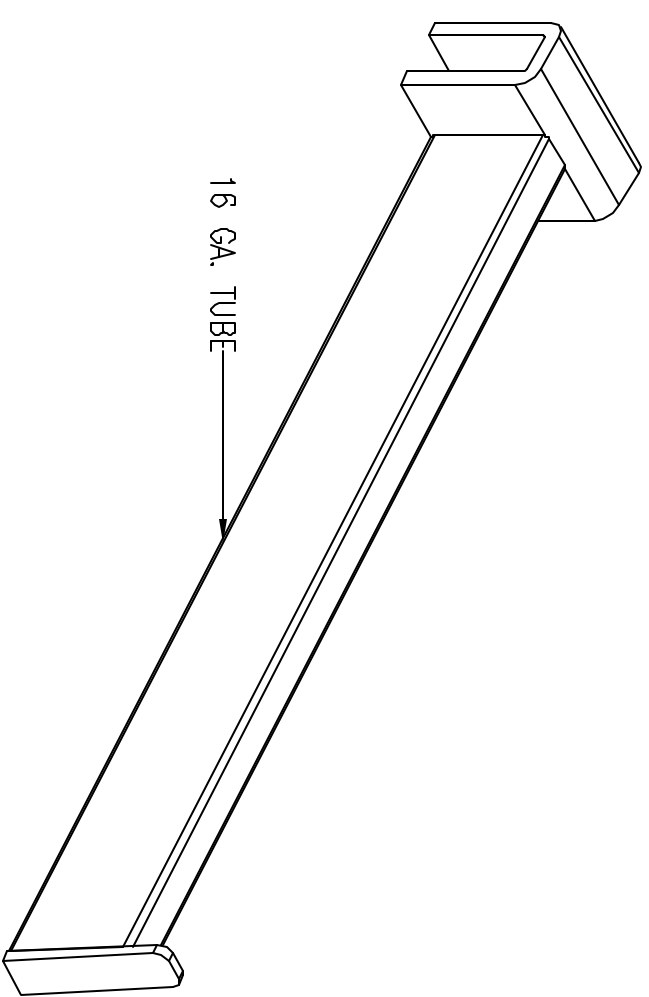
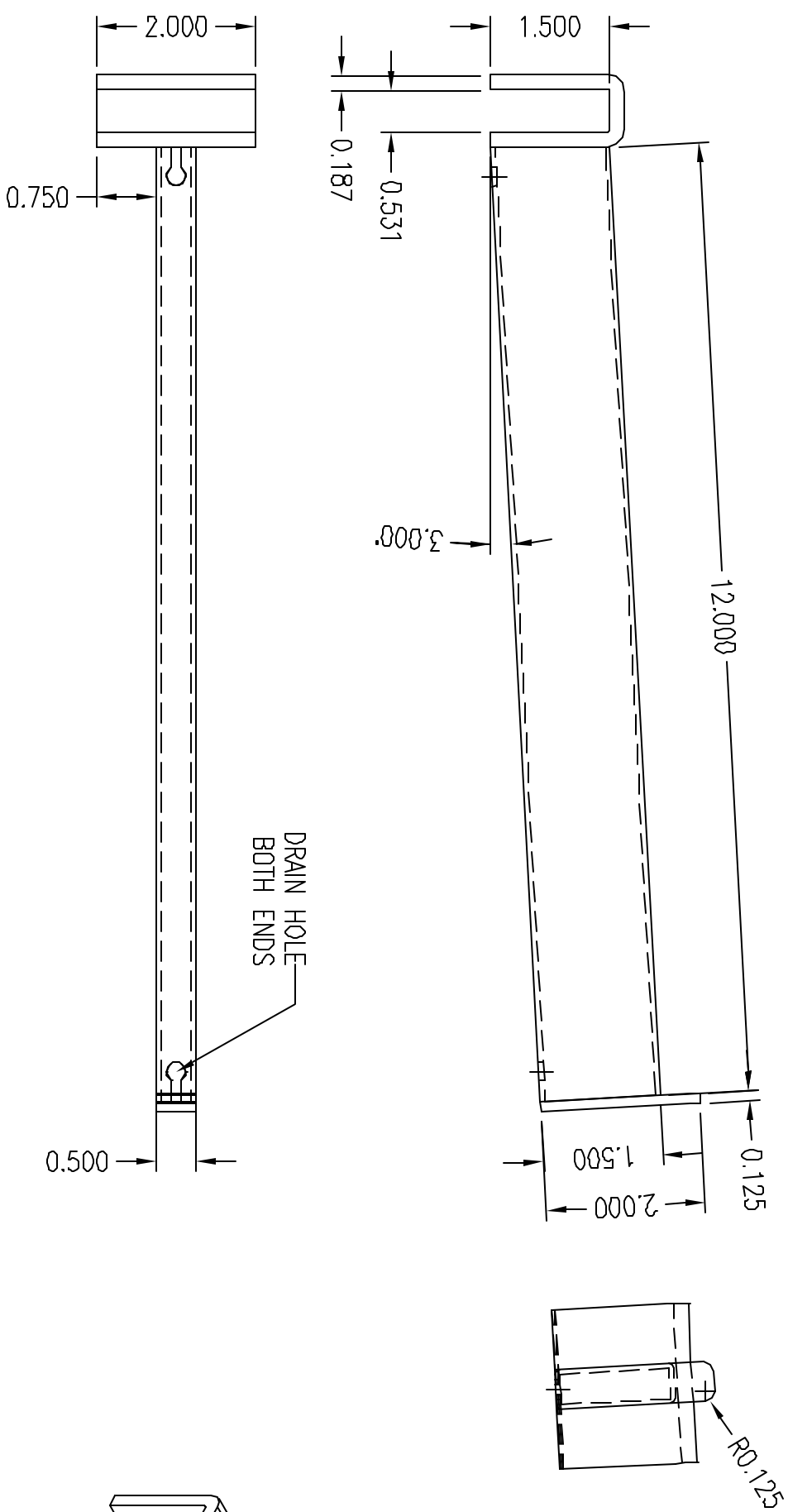


REVISIONS				
REV.	DESCRIPTION	E.C.O. NO.	DATE	APPROVED
XX	XX	XX	XX	



UNLESS OTHERWISE SPECIFIED DIMENSIONS ARE IN INCHES TOLERANCES ARE:		CUSTOMER		TITLE	
FRACTIONS: ± 1/32	DECIMALS: .XX ±.01 .XXX ±.005	ANGLES: ± 1/2°	—	APPROVALS	DATE
FINISH: SATIN NICKEL W/CLEAR COAT			APPROVALS	<i>drr</i>	10-10-06
DO NOT SCALE DRAWING			CHKD.	DATE	
			APVD.	QUOTE NO.	N/A
			SCALE: N.T.S.	SIZE: B	DWG. NO.: I-NS0033
			SHEET: 1	OF: 1	REV: -

**PEEVEE**  
STORE EQUIPMENT CO.  
Pico Rivera, CA. (562) 949-2535

THIS DRAWING IS THE EXCLUSIVE PROPERTY OF PEEVEE STORE EQUIPMENT CO. WHO HOLDS AND MAINTAINS FULL COPYRIGHT PROTECTION UNDER FEDERAL AND STATE LAW. THIS DRAWING CANNOT BE DISSEMINATED, PHOTOCOPIED, REPRODUCED, REPRODUCED, OR REPRODUCED WITHOUT THE EXPRESS WRITTEN CONSENT OF PEEVEE STORE EQUIPMENT CO. COPYRIGHT © 2004, 2003, 2002, 2001, 2000. ALL RIGHTS RESERVED.