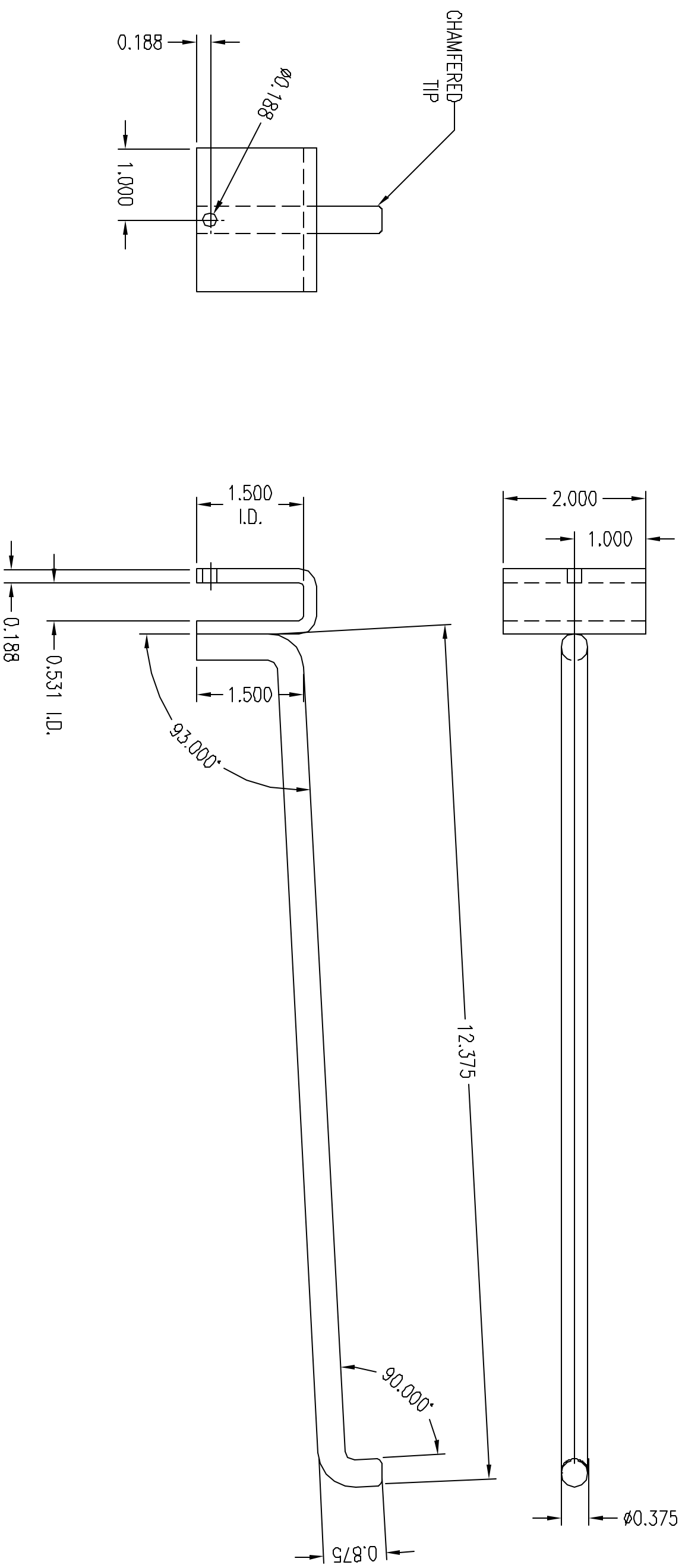


REVISIONS				
REV.	DESCRIPTION	E.C.O. NO.	DATE	APPROVED
XX	XX	XX	XX	



THIS DRAWING IS THE EXCLUSIVE PROPERTY OF REBE STORE EQUIPMENT CO. WHO HOLDS AND MAINTAINS FULL COPYRIGHT PROTECTION UNDER FEDERAL AND STATE LAW. THIS DRAWING CANNOT BE DISSEMINATED, PHOTOCOPIED, REPRODUCED, OR REPRODUCED WITHOUT THE EXPRESS WRITTEN CONSENT OF REBE STORE EQUIPMENT CO. COPYRIGHT © 2004, 2003, 2002, 2001, 2000. ALL RIGHTS RESERVED.

UNLESS OTHERWISE SPECIFIED DIMENSIONS ARE IN INCHES TOLERANCES ARE:		CUSTOMER		TITLE	
FRACTIONS: ± 1/32	DECIMALS: .XX ±.01 .XXX ±.005	ANGLES: ± 1/2°	APPROVALS	DATE	REBE STORE EQUIPMENT CO. Pico Rivera, CA. (562) 949-2535 I-NS0039, 12"
FINISH SATIN NICKEL W/CLEAR COAT			DRAWN <i>drr</i>	10-10-06	
DO NOT SCALE DRAWING			CHKD.		
APPROVALS			APVD.	SCALE: N.T.S.	SIZE: B
QUOTE NO. N/A			DATE	DWG. NO. I-NS0039	REV. -
SHEET: 1 OF 1					