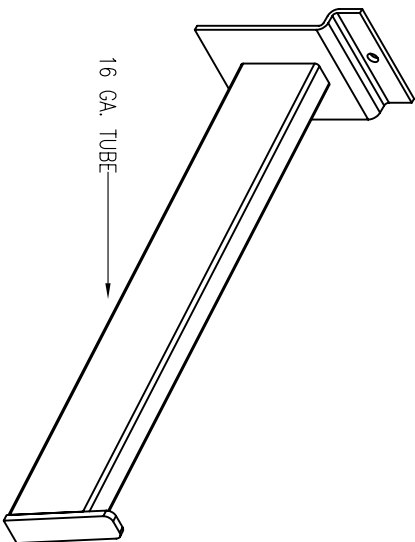
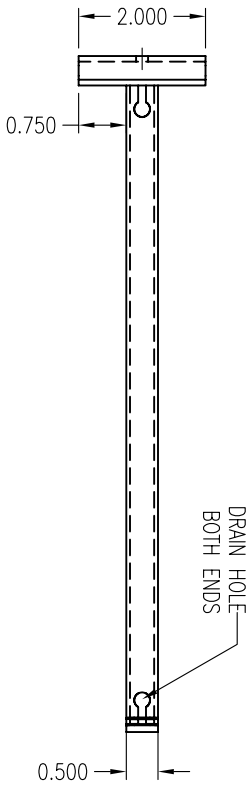
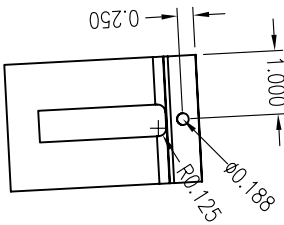
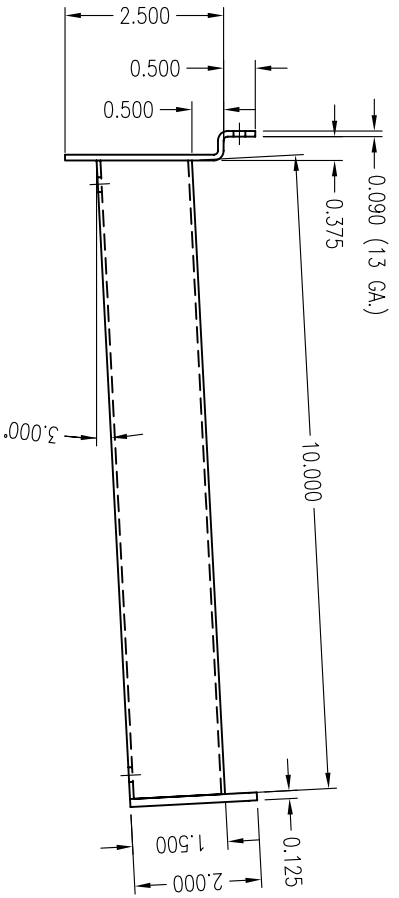


REVISIONS				
REV.	DESCRIPTION	E.C.O. NO.	DATE	APPROVED
XX	XX	XX	XX	



THE FINISH & THE EXACTE PARTS OF THIS DRAWING TO BE USED FOR THE FABRICATION OF THE PARTS MUST BE APPROVED BY THE CUSTOMER. ANY CHANGES TO THE DRAWING MUST BE APPROVED BY THE CUSTOMER. ANY CHANGES TO THE DRAWING MUST BE APPROVED BY THE CUSTOMER. ANY CHANGES TO THE DRAWING MUST BE APPROVED BY THE CUSTOMER.

UNLESS OTHERWISE SPECIFIED DIMENSIONS ARE IN INCHES TOLERANCES ARE:		CUSTOMER		DATE		TITLE	
FRACTIONS: $\pm 1/32$	DECIMALS: .XX ± 0.01	ANGLES: $\pm 1/2^\circ$	APPROVALS	DATE	I-NS0041, 10"		
			<i>dm</i>	10-09-06	STORE EQUIPMENT CO. Pico Rivera, CA. (562) 949-2535		
FINISH: SATIN NICKEL W/CLEAR COAT	DO NOT SCALE DRAWING	QUOTE NO. N/A	SCALE: B	DWG. NO. I-NS0041	SIZE: B	SHEET: 1 OF 1	REV. 1