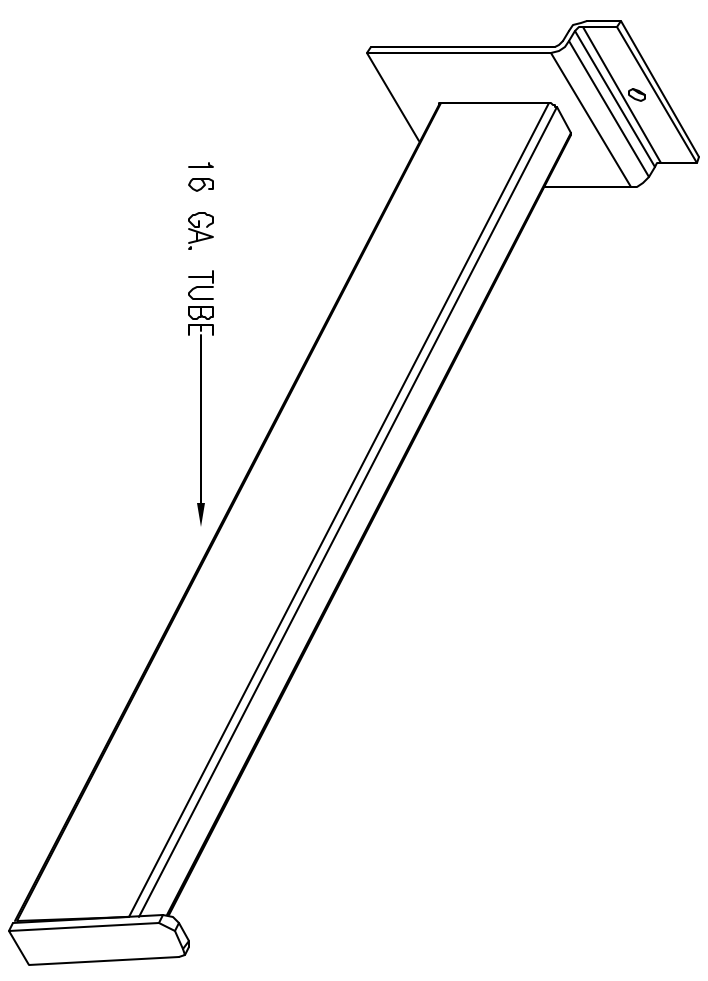
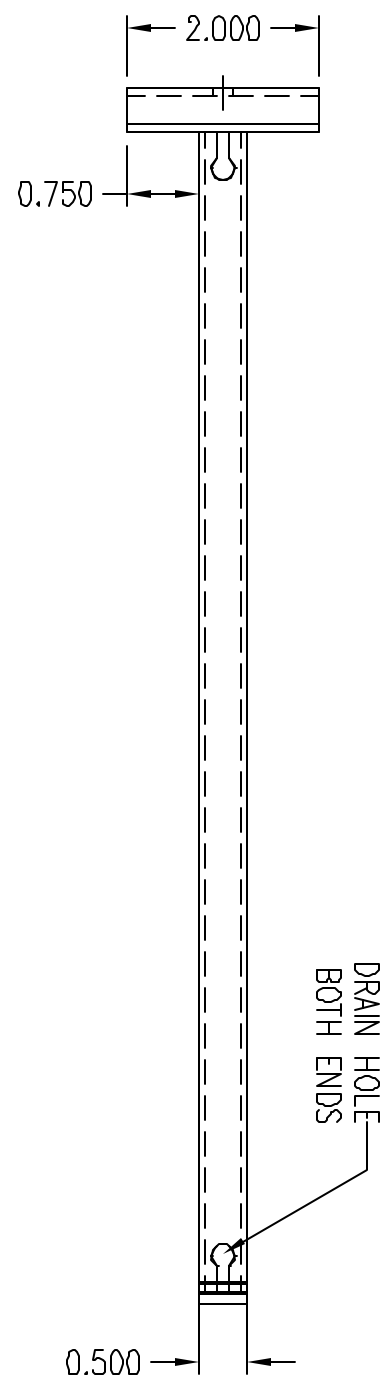
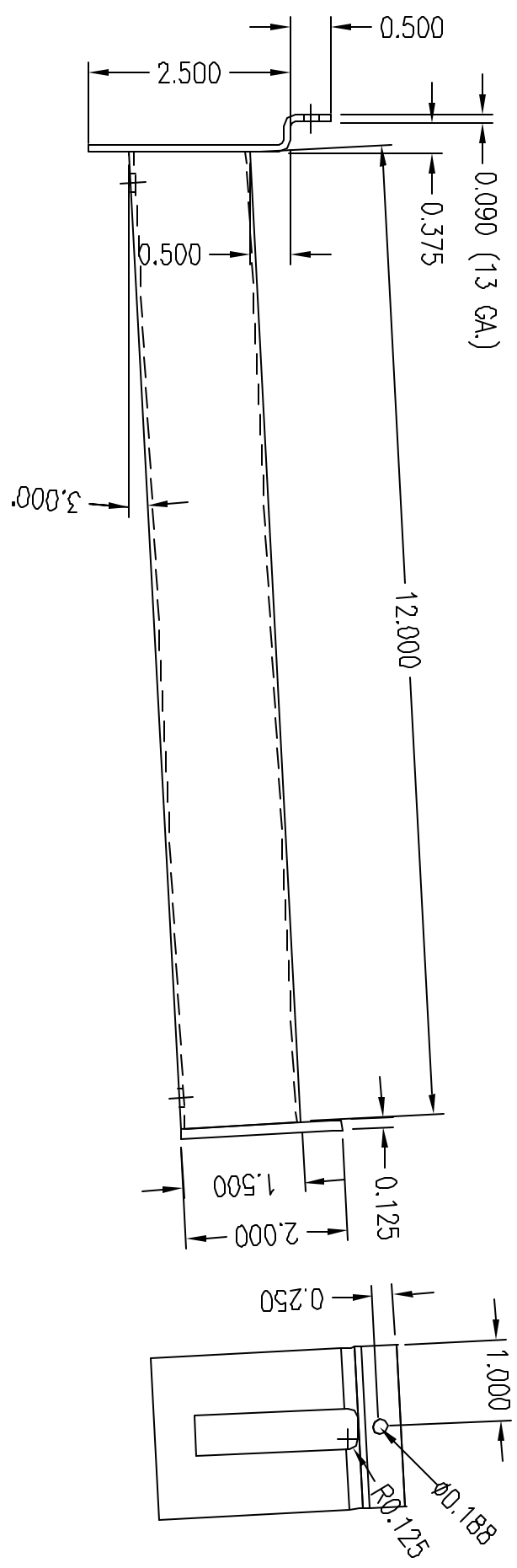


REVISIONS				
REV.	DESCRIPTION	E.C.O. NO.	DATE	APPROVED
XX	XX	XX	XX	



THIS DRAWING IS THE EXCLUSIVE PROPERTY OF REBE STORE EQUIPMENT CO. WHO HOLDS AND MAINTAINS FULL COPYRIGHT PROTECTION UNDER FEDERAL AND STATE LAW. THIS DRAWING CANNOT BE DISSEMINATED, PHOTOCOPIED, REPRODUCED, OR REPRODUCED WITHOUT THE EXPRESS WRITTEN CONSENT OF REBE STORE EQUIPMENT CO. COPYRIGHT © 2004, 2003, 2002, 2001, 2000. ALL RIGHTS RESERVED.

UNLESS OTHERWISE SPECIFIED DIMENSIONS ARE IN INCHES TOLERANCES ARE:		CUSTOMER		TITLE	
FRACTIONS: ± 1/32	DECIMALS: .XX ±.01 .XXX ±.005	ANGLES: ± 1/2°	—	REBE STORE EQUIPMENT CO. Pico Rivera, CA. (562) 949-2535	
FINISH: SATIN NICKEL W/CLEAR COAT	APPROVALS: <i>drr</i>	DATE: 10-10-06	CHKD.	SIZE: B	DWG. NO.: I-NS0042
DO NOT SCALE DRAWING	QUOTE NO.: N/A	SCALE: N.T.S.		SHEET: 1	OF 1