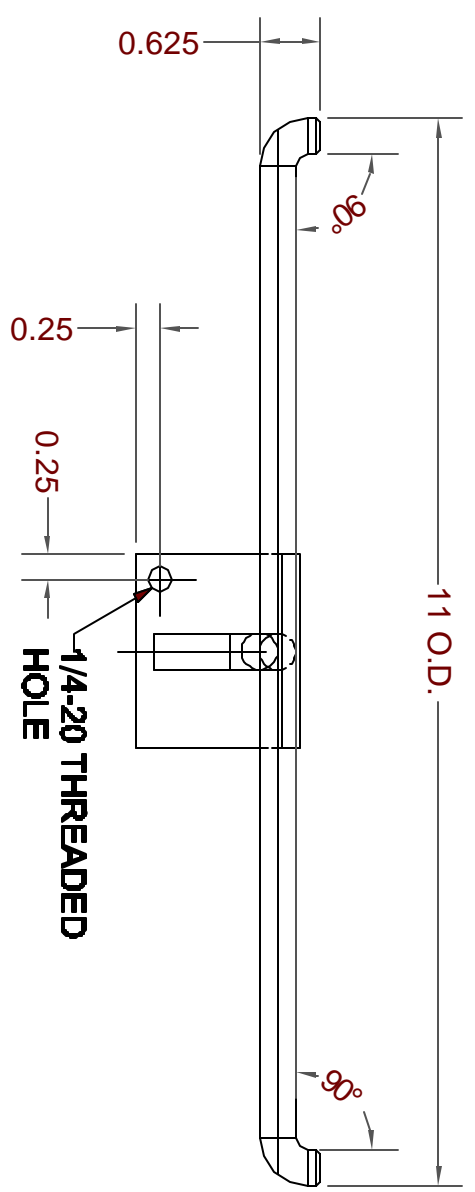
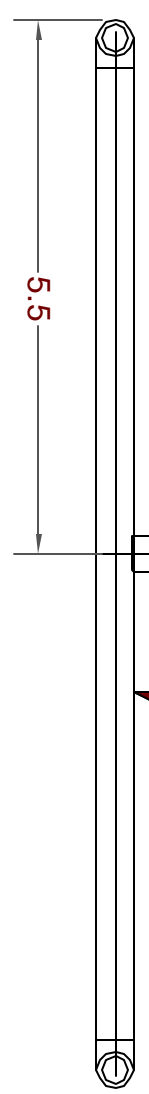
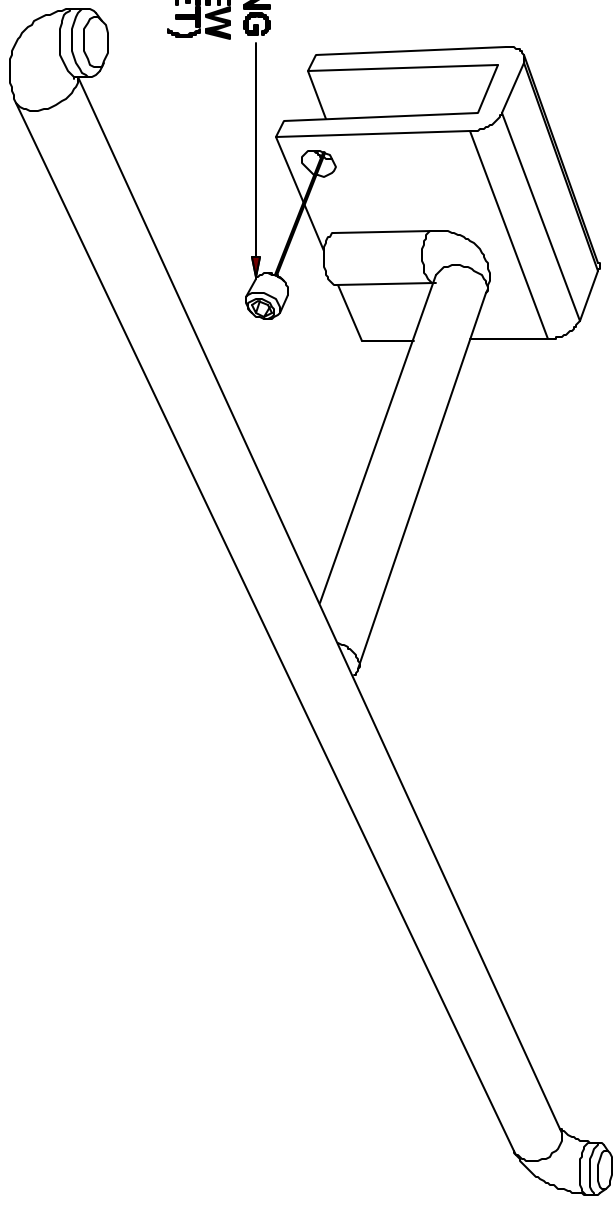


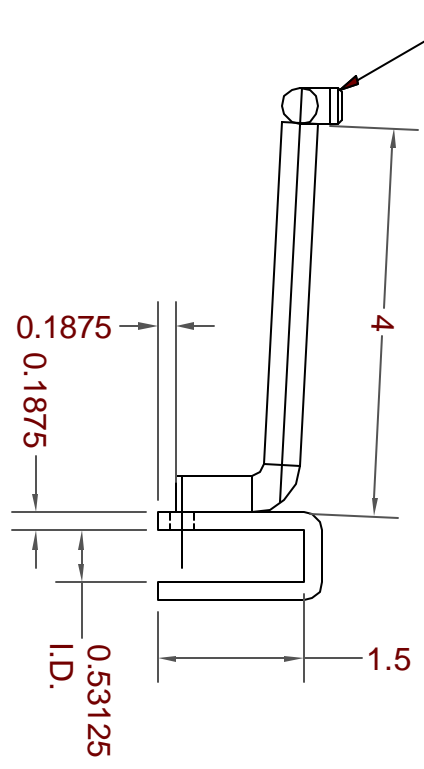
3/8" DIA. BAR



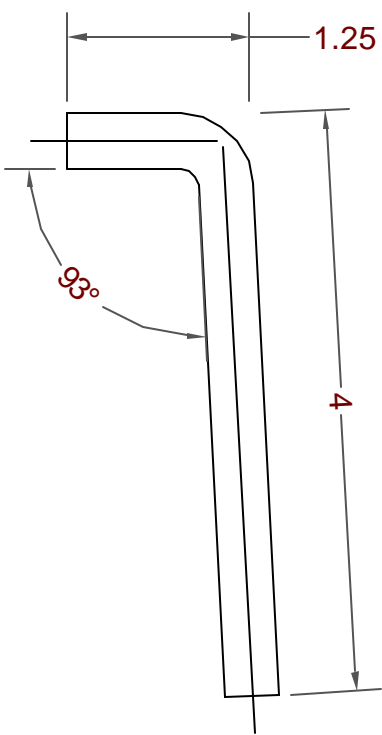
1/4-20 x 1/4" LONG
SET SCREW
(STANDARD HEX SOCKET)



CHAMFER TIP
EACH END



ITEM #2 DETAIL



UNLESS OTHERWISE SPECIFIED, DIMENSIONS ARE INCHES. TOLERANCES ARE:		CUSTOMER	
FRACTIONS: ±1-/162	DECIMALS: .XX ±1/-.01 .XXX ±1/-.005	ANGLES: ±1-/12	APPROVALS
FINISH			DRAWN R. Marcial
SATIN NICKEL W/CLEAR COAT		DATE	8/24/2006
		CHK'D.	
		APP'D.	
DO NOT SCALE DRAWING		EQCB No.	
TITLE		HOME FLOOR FIXTURE T-BAR	
SIZE B		DWG. No. I-NS0112	
SCALE: N.T.S.		REV. -	
		SHEET: 1 OF 1	

REEVE
STORE EQUIPMENT CO.
Pico Rivera, CA. (562) 949-2535

NOTE: INCLUDE 1/4-20 x 1/4" SET SCREW (SOCKET HEAD).