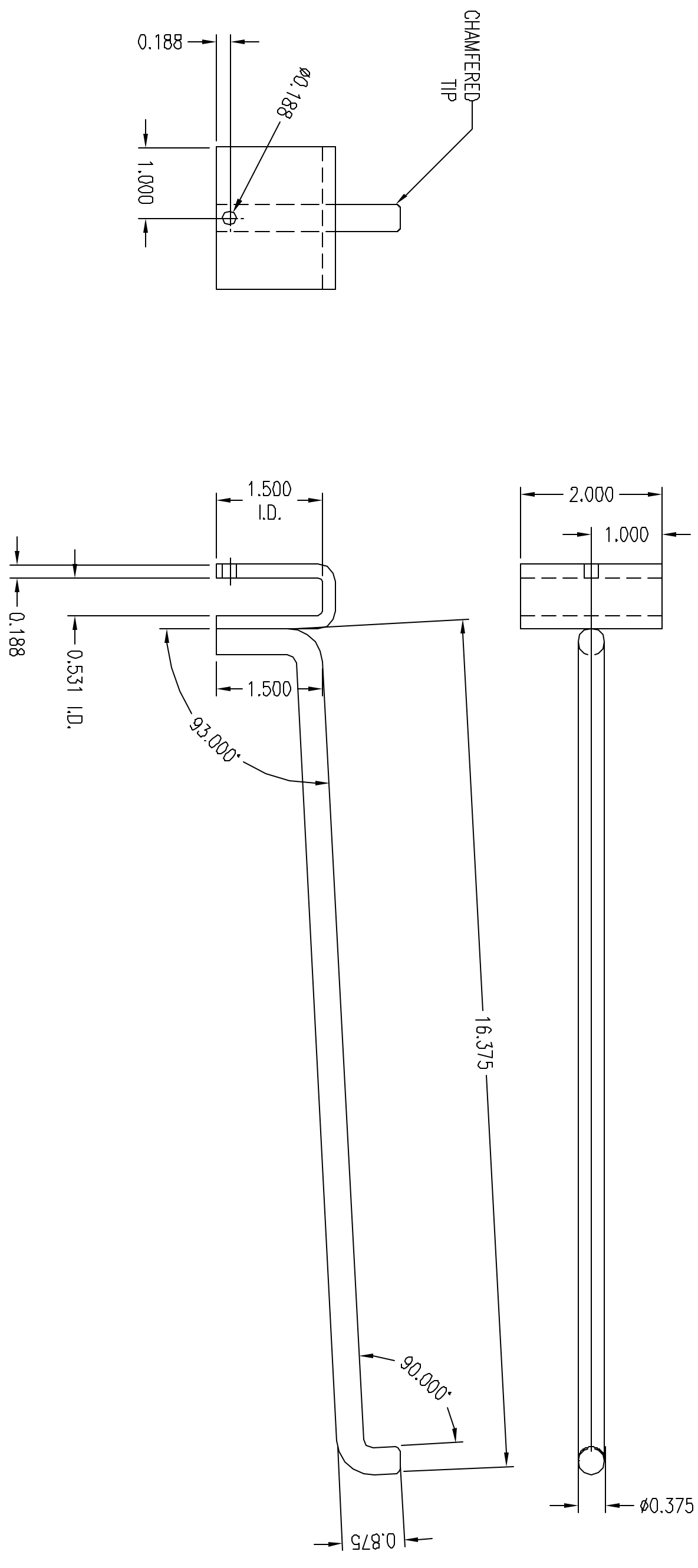


REVISIONS				
REV.	DESCRIPTION	E.C.O. NO.	DATE	APPROVED
XX	XX	XX	XX	



UNLESS OTHERWISE SPECIFIED
DIMENSIONS ARE IN INCHES
TOLERANCES ARE:

FRACTIONS: ± 1/32	DECIMALS: .XX ±.01 .XXX ±.005	ANGLES: ± 1/2°
----------------------	-------------------------------------	-------------------

FINISH
SATIN NICKEL
W/CLEAR COAT

THIS DRAWING IS THE EXCLUSIVE PROPERTY OF REBE STORE EQUIPMENT CO. WHO HOLDS AND MAINTAINS FULL COPYRIGHT PROTECTION UNDER FEDERAL AND STATE LAW. THIS DRAWING CANNOT BE DISSEMINATED, PHOTOCOPIED, REPRODUCED, OR REPRODUCED WITHOUT THE EXPRESS WRITTEN CONSENT OF REBE STORE EQUIPMENT CO. COPYRIGHT © 2004, 2003, 2002, 2001, 2000. ALL RIGHTS RESERVED.

CUSTOMER		—	
APPROVALS	DATE		
<i>dmr</i>	10-10-06		
CHKD.			
APVD.			
QUOTE NO.	N/A		
TITLE		REBE STORE EQUIPMENT CO. Pico Rivera, CA. (562) 949-2535	
SIZE	DWG. NO.	I-NSO119, 19"	
B	I-NSO119		
SCALE	N.T.S.	SHEET	1 OF 1
		REV.	-