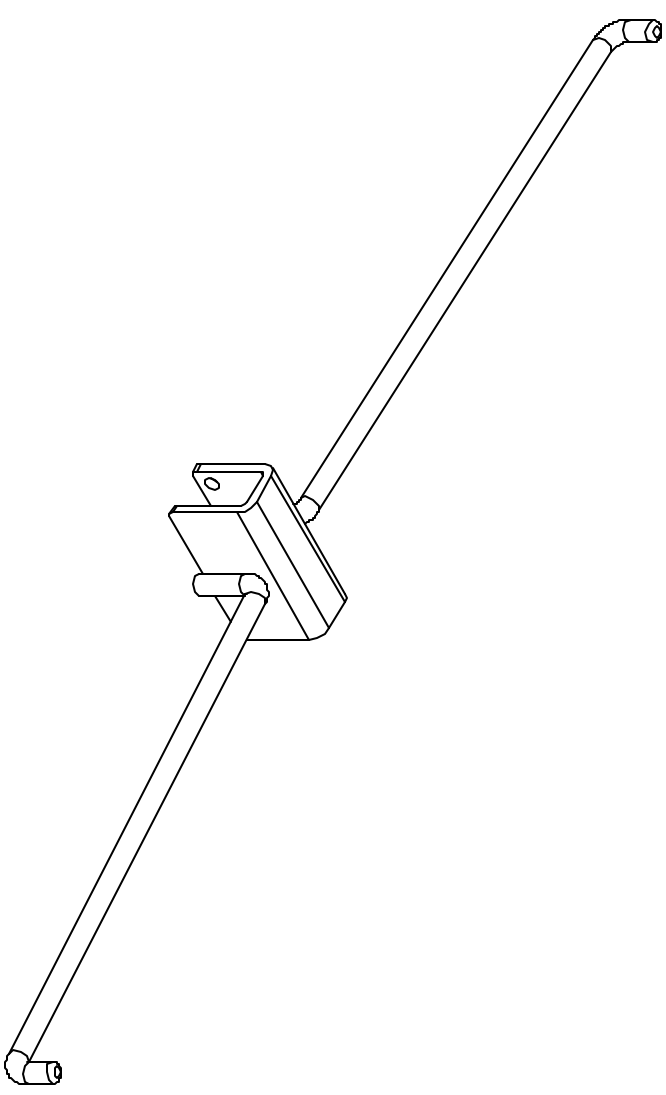
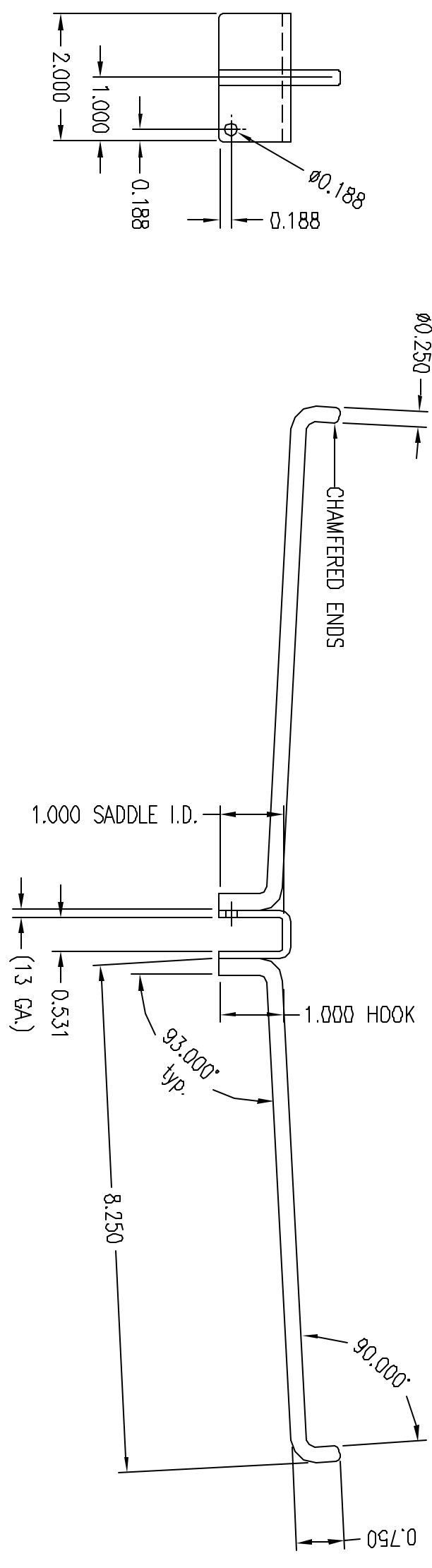


REVISIONS				
REV.	DESCRIPTION	E.C.O. NO.	DATE	APPROVED
XX	XX	XX	XX	



THIS DRAWING IS THE EXCLUSIVE PROPERTY OF REEVE STORE EQUIPMENT CO. WHO HOLDS AND MAINTAINS FULL COPYRIGHT PROTECTION UNDER FEDERAL AND STATE LAW. THIS DRAWING CANNOT BE REPRODUCED, PHOTOCOPIED, DIRECTLY TRANSMITTED, OR REPRODUCED WITHOUT THE EXPRESS WRITTEN CONSENT OF REEVE STORE EQUIPMENT CO. COPYRIGHT © 2004, 2002, 2000, 2001, 2003, 2004. ALL RIGHTS RESERVED.

UNLESS OTHERWISE SPECIFIED DIMENSIONS ARE IN INCHES TOLERANCES ARE:		CUSTOMER		TITLE	
FRACTIONS: ± 1/32	DECIMALS: .XX ± 0.01 .XXX ± 0.005	ANGLES: ± 1/2°	APPROVALS	DATE	 Pico Rivera, CA. (562) 949-2535 <b>I-NSO121, 8'</b>
FINISH: SATIN NICKEL W/CLEAR COAT		DRWN: <i>dm</i>	DATE: 10-10-06		
DO NOT SCALE DRAWING		QUOTE NO. N/A	SCALE: B	DWG. NO. I-NSO121	REV. -
			SCALE: N.T.S.	SHEET: 1 OF 1	