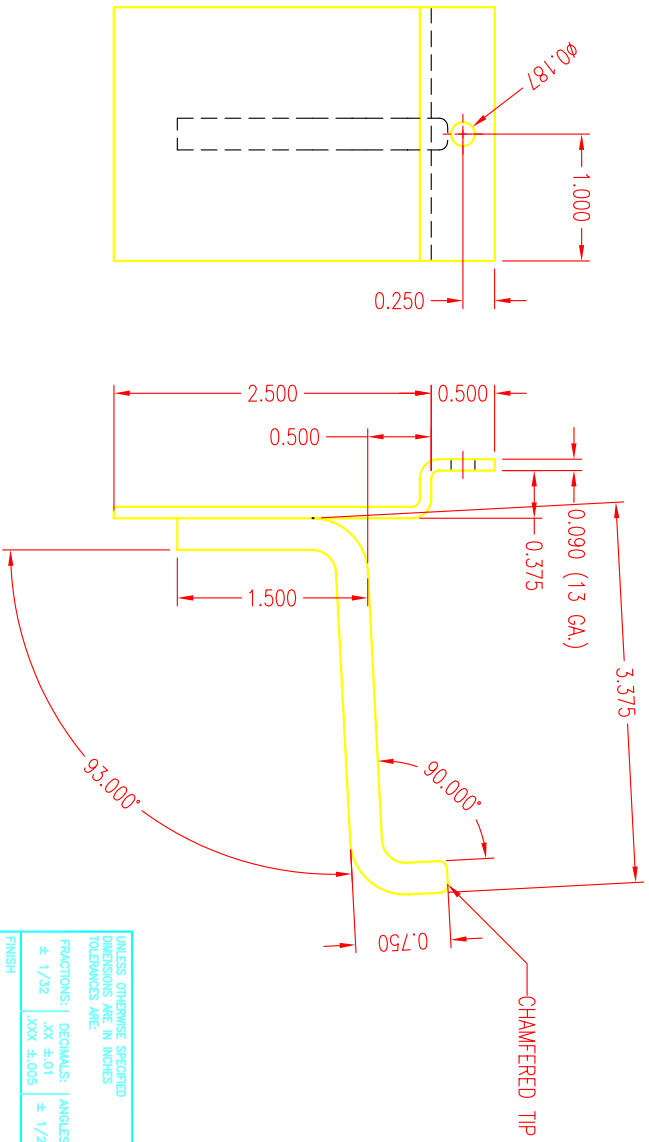
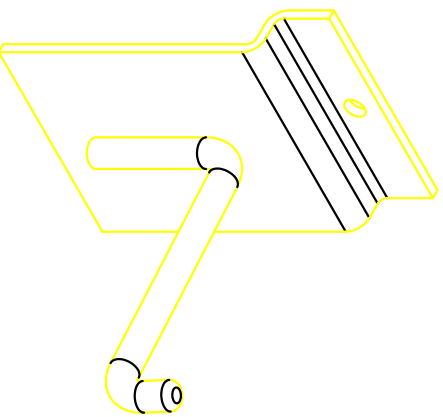
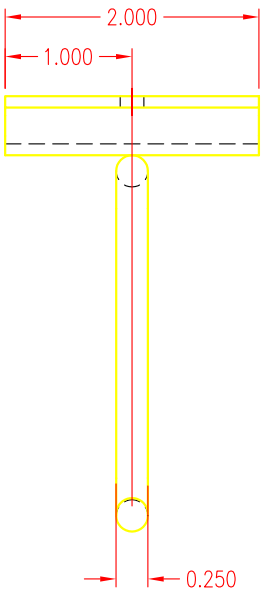


REVISIONS				
REV.	DESCRIPTION	E.C.O. NO.	DATE	APPROVED
XX	XX	XX	XX	XX



THIS DRAWING IS THE EXCLUSIVE PROPERTY OF REEVE STORE EQUIPMENT CO. ANY REPRODUCTION OR USE OF THIS DRAWING WITHOUT THE EXPRESS WRITTEN CONSENT OF REEVE STORE EQUIPMENT CO. IS PROHIBITED. © 2006 REEVE STORE EQUIPMENT CO.

UNLESS OTHERWISE SPECIFIED DIMENSIONS ARE IN INCHES TOLERANCES ARE:		CUSTOMER	
FRACTIONS: ± 1/32	DECIMALS: .XX ±.01	ANGLES: ± 1/2°	APPROVALS
FINISH: SATIN NICKEL W/CLEAR COAT		DATE: 10-09-06	DATE
DO NOT SCALE DRAWING		QUOTE NO. N/A	DATE
TITLE: I-NS0132, 3"		SCALE: B	SIZE: DWG. NO.
PICO RIVERA, CA. (562) 949-2535		SCALE: N.T.S.	SIZE: DWG. NO.
I-NS0132, 3"		SHEET: 1	REV: 1
REEVE STORE EQUIPMENT CO.		SHEET: 1 OF 1	