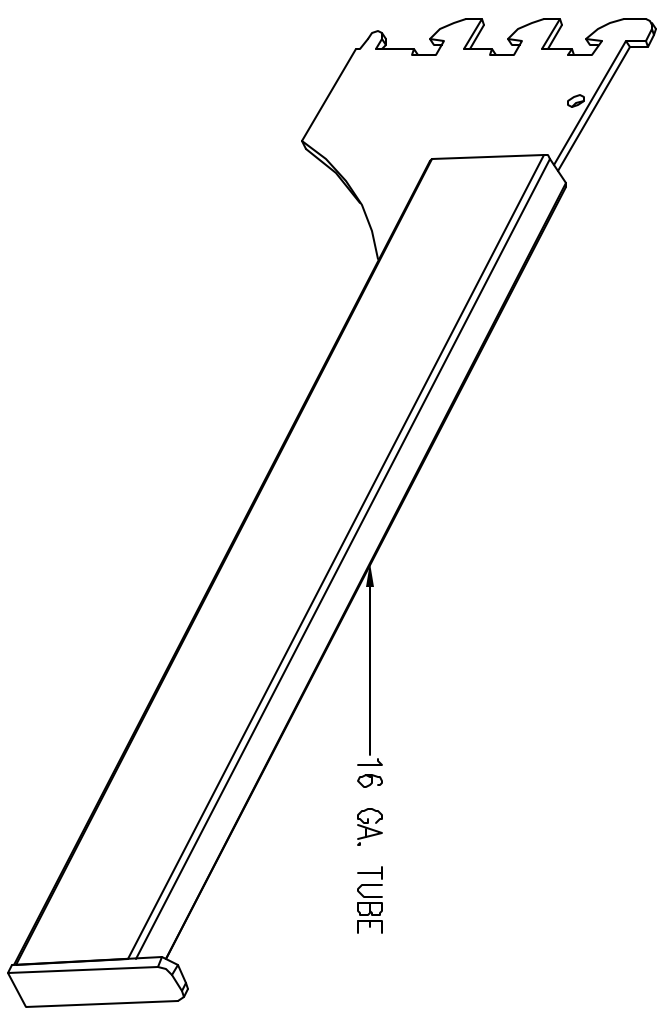
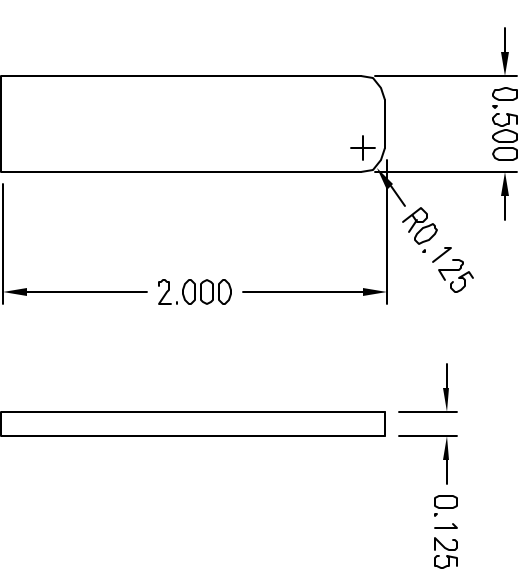
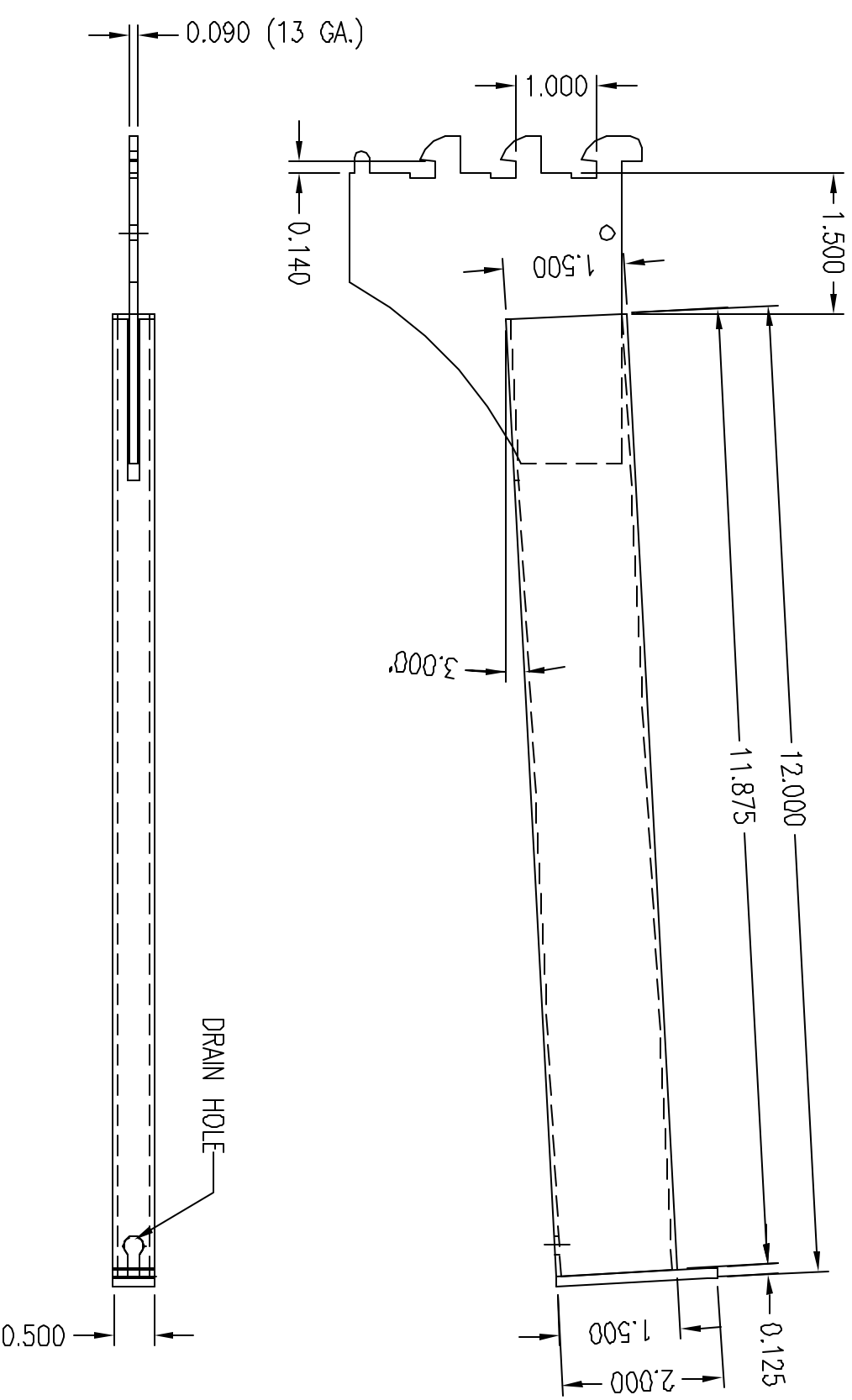


REVISIONS				
REV.	DESCRIPTION	E.C.O. NO.	DATE	APPROVED
XX	XX	XX	XX	



UNLESS OTHERWISE SPECIFIED DIMENSIONS ARE IN INCHES TOLERANCES ARE:		CUSTOMER		TITLE	
FRACTIONS: ± 1/32	DECIMALS: .XX ±.01 .XXX ±.005	ANGLES: ± 1/2°	APPROVALS	DATE	FREEVEE STORE EQUIPMENT CO. Pico Rivera, CA. (562) 949-2535 I-NS0137, 12"
FINISH: SATIN NICKEL W/CLEAR COAT			DRAWN: <i>dmr</i>	10-09-06	
DO NOT SCALE DRAWING			APPROVED: _____		
APPROVALS		QUOTE NO. N/A	SIZE: B		REV. -
SCALE: N.T.S.		SHEET: 1 OF 1			

THIS DRAWING IS THE SOLE PROPERTY OF FREEVEE STORE EQUIPMENT CO. WHO HOLDS AND MAINTAINS FULL COPYRIGHT PROTECTION UNDER FEDERAL AND STATE LAW. THIS DRAWING CANNOT BE REPRODUCED, PHOTOCOPIED, SCANNED, REPRODUCED, OR REPRODUCED WITHOUT THE EXPRESS WRITTEN CONSENT OF FREEVEE STORE EQUIPMENT CO. COPYRIGHT © 2004, 2005, 2006, 2007, 2008, 2009, 2010, 2011, 2012, 2013, 2014, 2015, 2016, 2017, 2018, 2019, 2020, 2021, 2022, 2023, 2024. ALL RIGHTS RESERVED.