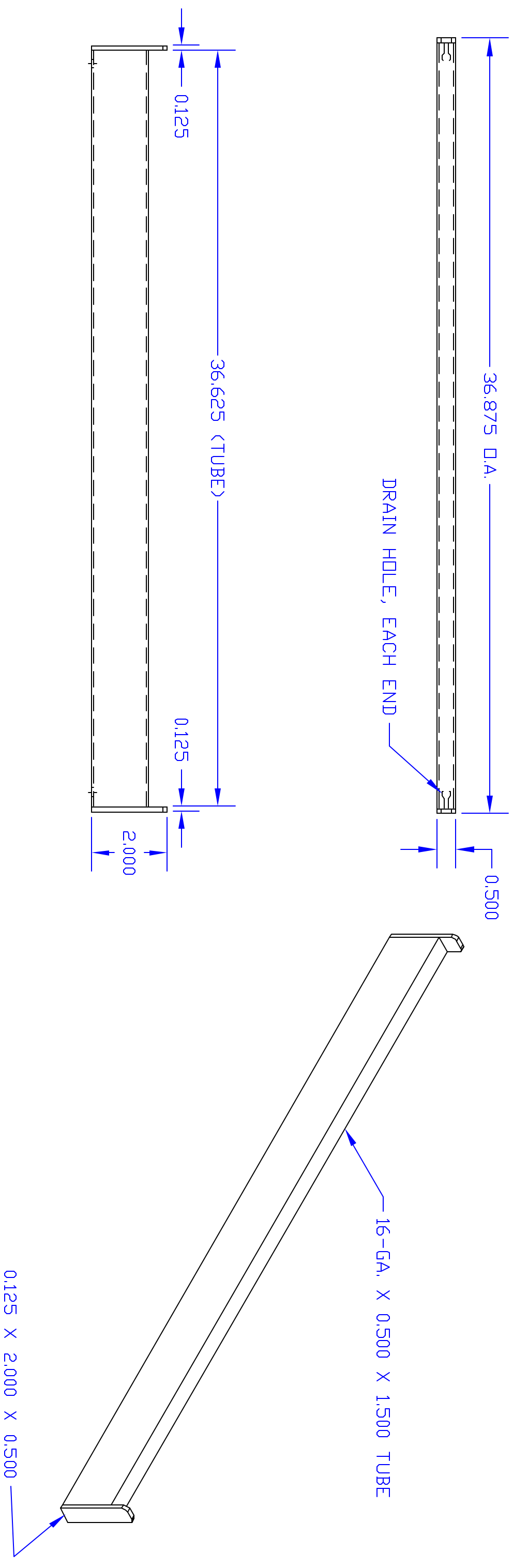



| REVISIONS |             |            |      |          |
|-----------|-------------|------------|------|----------|
| REV.      | DESCRIPTION | E.C.O. NO. | DATE | APPROVED |
| XX        | XX          | XX         | XX   |          |



|                                                                           |                                     |                   |                      |                             |                                                                                                                                                              |
|---------------------------------------------------------------------------|-------------------------------------|-------------------|----------------------|-----------------------------|--------------------------------------------------------------------------------------------------------------------------------------------------------------|
| UNLESS OTHERWISE SPECIFIED<br>DIMENSIONS ARE IN INCHES<br>TOLERANCES ARE: |                                     | CUSTOMER          |                      | TITLE                       |                                                                                                                                                              |
| FRACTIONS:<br>± 1/32                                                      | DECIMALS:<br>.XX ±.01<br>.XXX ±.005 | ANGLES:<br>± 1/2° | APPROVALS            | DATE                        | <br><b>PICO</b><br>STORE EQUIPMENT CO.<br>Pico Rivera, CA. (562) 949-2535 |
| FINISH<br>SATIN NICKEL<br>W/CLEAR COAT                                    |                                     |                   | DRAWN<br>J. AVILA    | 10-09-06                    |                                                                                                                                                              |
| DO NOT SCALE DRAWING                                                      |                                     |                   | APPROV.<br>SEE CHART | SCALE:<br>N.T.S.            |                                                                                                                                                              |
|                                                                           |                                     |                   | EDGB NO.             | SIZE<br><b>B</b>            | DWG. NO.<br><b>I-NS0170</b>                                                                                                                                  |
|                                                                           |                                     |                   |                      | SHEET: <b>1</b> OF <b>1</b> | REV.                                                                                                                                                         |