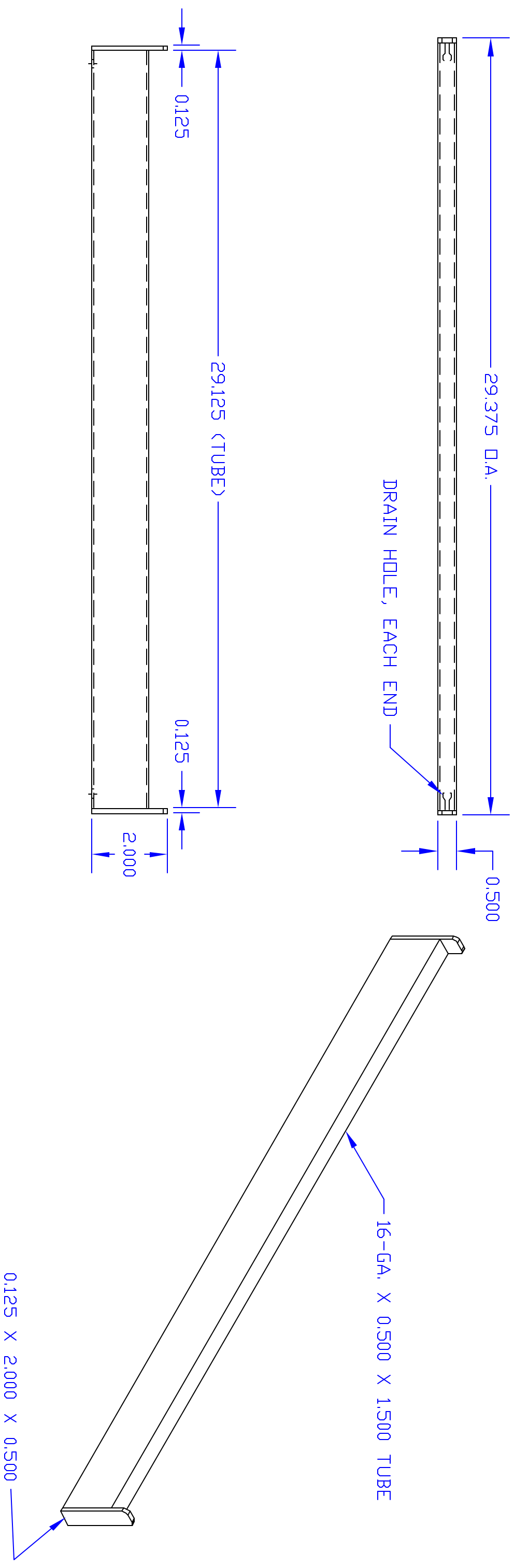


REVISIONS				
REV.	DESCRIPTION	E.C.O. NO.	DATE	APPROVED
XX	XX	XX	XX	



UNLESS OTHERWISE SPECIFIED
DIMENSIONS ARE IN INCHES
TOLERANCES ARE:

FRACTIONS: ± 1/32	DECIMALS: .XX ±.01 .XXX ±.005	ANGLES: ± 1/2°
----------------------	-------------------------------------	-------------------

FINISH
SATIN NICKEL
W/CLEAR COAT

DO NOT SCALE DRAWING

CUSTOMER

APPROVALS

DATE

DRAWN

CHK'D.

AP'D.

ECOB. NO.

SEE CHART

PEAVEY
STORE EQUIPMENT CO.
Pico Rivera, CA. (562) 949-2535

TITLE
30" CROSSBAR

SIZE
B

DWG. NO.
I-NS0173

SCALE
N.T.S.

SHEET: 1 OF 1