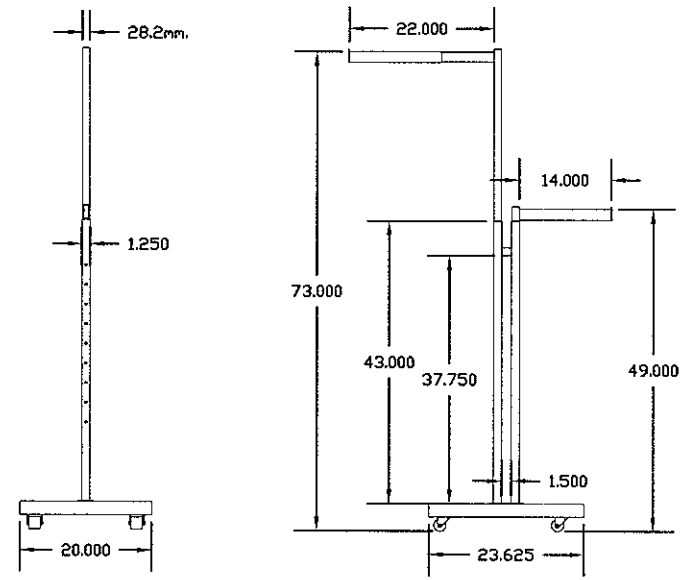
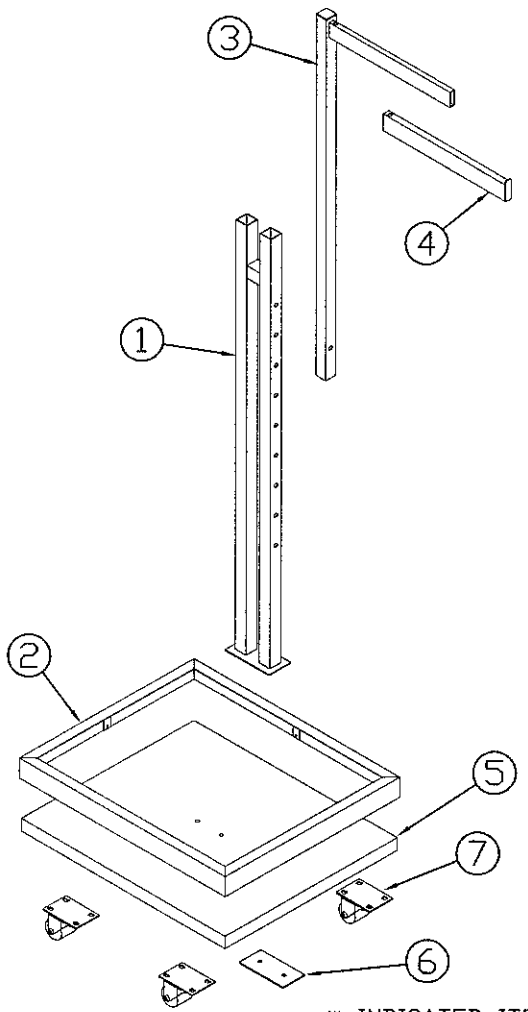


234



* 12	BUYOUT	SPRING CLIP (VALCO A-135)	2
* 11	CH-180	SPRING CLIP (VALCO A-180)	2
* 10	BUYOUT	5/16-18" X 2" HEX HEAD BOLT	2
* 9	#92323A534	5/16-18" X 5/8" CAP SCREW #92323A534)	16
* 8	C10X12SMS	#10 X 1/2" WOOD SCREW	4
7	MERVCASTER	2" X 1-13/16" SWIVEL CASTER	4
6	55001657	PLATE	1
5	62000366	WOOD BASE	1
4	29000110	FACEOUT	2
3	10000101	ARM	2
2	30000227	METAL BASE	1
1	32000225	UPRIGHT	1
ITEM	PART NO.	DESCRIPTION	QTY.

BILL OF MATERIALS

UNLESS OTHERWISE SPECIFIED DIMENSIONS ARE IN INCHES TOLERANCES ARE:

FRACTIONS:	DECIMALS:	ANGLES:
± 1/32	.XX ±.01 .XXX ±.005	± 1/2°

CUSTOMER	
MERVYN'S	
APPROVALS	DATE
DRAWN JESSE AVILA	03-04-08
CHK'D.	
AP'D.	
EDCB NO.	

REEVE
STORE EQUIPMENT CO.
Pico Rivera, CA. (562) 949-2535

TITLE		REV.
NM0010 ASSY.		
SIZE	DWG. NO.	
B	49000521	
SCALE	N.T.S.	SHEET: 1 OF 1

* INDICATED ITEM NOT SHOWN

REVISIONS

REV.	DESCRIPTION	E.C.O. NO.	DATE	APPROVED
XX	XX	XX	XX	

THIS DRAWING IS THE EXCLUSIVE PROPERTY OF REEVE STORE EQUIPMENT CO. TRADE MARKS AND PATENT RIGHTS FULL COPYRIGHT PROTECTION UNDER FEDERAL AND STATE LAW. THIS DRAWING CANNOT BE REPRODUCED, PHOTOCOPIED, DIGITALLY TRANSMITTED, OR REPRODUCED IN ANY MANNER WITHOUT THE EXPRESS WRITTEN CONSENT OF REEVE STORE EQUIPMENT CO. COPYRIGHT © 2006, 2008, 2009, 2010, 2011. ALL RIGHTS RESERVED.

FINISH
SATIN NICKEL & BRONZE SHIMMER
DO NOT SCALE DRAWING