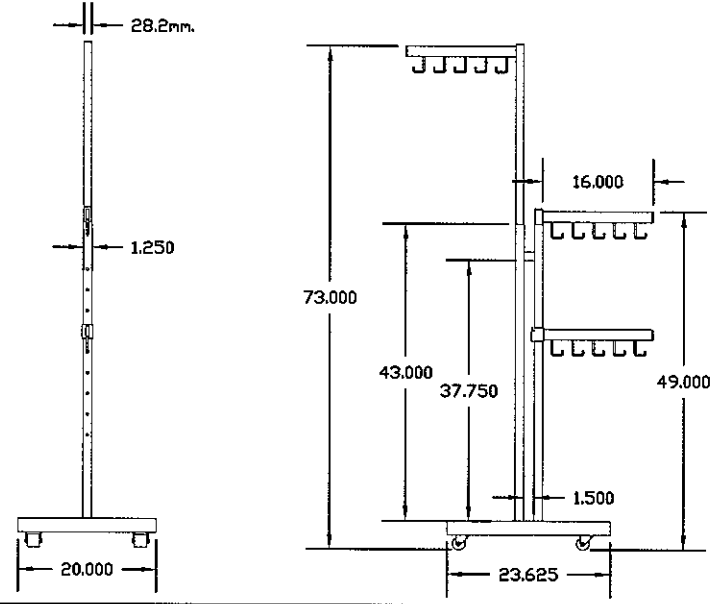
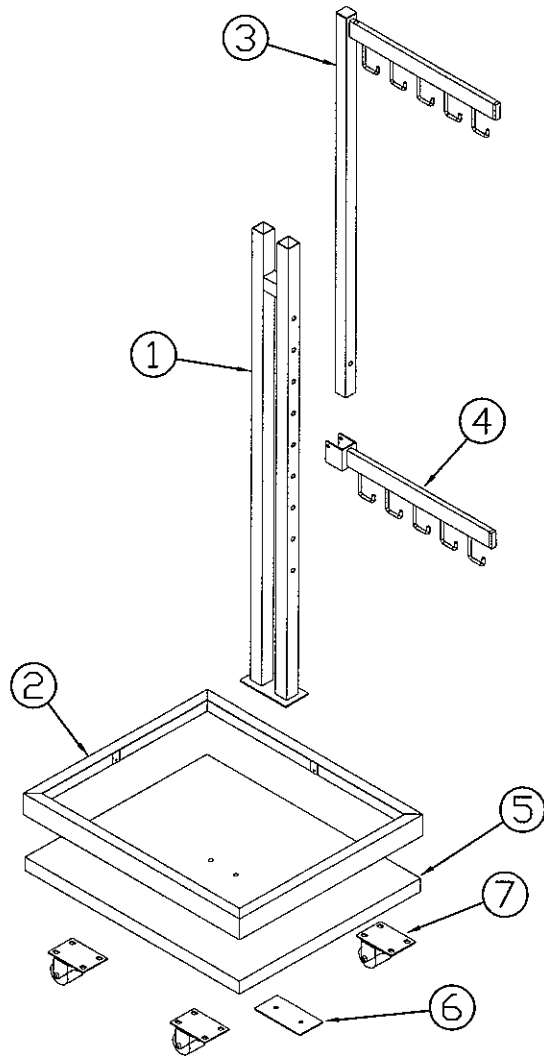


4



| | | | |
|------|------------|---|------|
| * 12 | NMFOTBSCW | ADD-ON FACEOUT SPECIAL SCREW (PER SAMPLE) | 2 |
| * 11 | CA-180 | SPRING CLIP (VALCO A-180) | 2 |
| * 10 | 91309A591 | 5/16-18" X 2" HEX HEAD BOLT | 2 |
| * 9 | 92323A534 | 5/16-18" X 5/8" CAP SCREW # (92323A534) | 16 |
| * 8 | C10X12SMS | #10 X 1/2" WOOD SCREW | 4 |
| 7 | MERVCASTER | 2" X 1-13/16" SWIVEL CASTER (NON-MARRING) | 4 |
| 6 | 55001657 | PLATE | 1 |
| 5 | 62000366 | WOOD BASE | 1 |
| 4 | 29000115 | ADD-ON FACEOUT | 2 |
| 3 | 10000102 | ARM | 2 |
| 2 | 30000227 | METAL BASE | 1 |
| 1 | 32000225 | UPRIGHT | 1 |
| ITEM | PART NO. | DESCRIPTION | QTY. |

* INDICATED ITEM NOT SHOWN

REVISIONS

| REV. | DESCRIPTION | E.C.O. NO. | DATE | APPROVED |
|------|-------------|------------|------|----------|
| XX | XX | XX | XX | |

THIS DRAWING IS THE EXCLUSIVE PROPERTY OF REEVE STORE EQUIPMENT CO. WHO HOLDS AND MAINTAINS FULL COPYRIGHT PROTECTION UNDER FEDERAL AND STATE LAW. THIS DRAWING CANNOT BE REPRODUCED, PHOTOCOPIED, DETAILY TRANSFERRED, OR REPRODUCED WITHOUT THE EXPRESS WRITTEN CONSENT OF REEVE STORE EQUIPMENT CO. COPYRIGHT © 2007, 2004, 2005, 2006, 2008. ALL RIGHTS RESERVED.

BILL OF MATERIALS

| | | | | | |
|---|-------------------------------------|-----------------------------|--|-------------------------------------|------------------------------|
| UNLESS OTHERWISE SPECIFIED DIMENSIONS ARE IN INCHES TOLERANCES ARE: | | CUSTOMER MERVYN'S | | Pico Rivera, CA. (562) 949-2535 | |
| FRACTIONS: ± 1/32 | DECIMALS: .XX ±.01 .XXX ±.005 | ANGLES: ± 1/2° | APPROVALS DRAWN: JESSE AVILA | | |
| FINISH SATIN NICKEL & BRONZE SHIMMER | | | CHK'D. | APVD. | TITLE NM0146 ASSY. |
| DO NOT SCALE DRAWING | | | EQCB NO. 142239 | SIZE B | DWG. NO. 49000528 |
| | | | | SCALE N.T.S. | REV. 1 OF 1 |