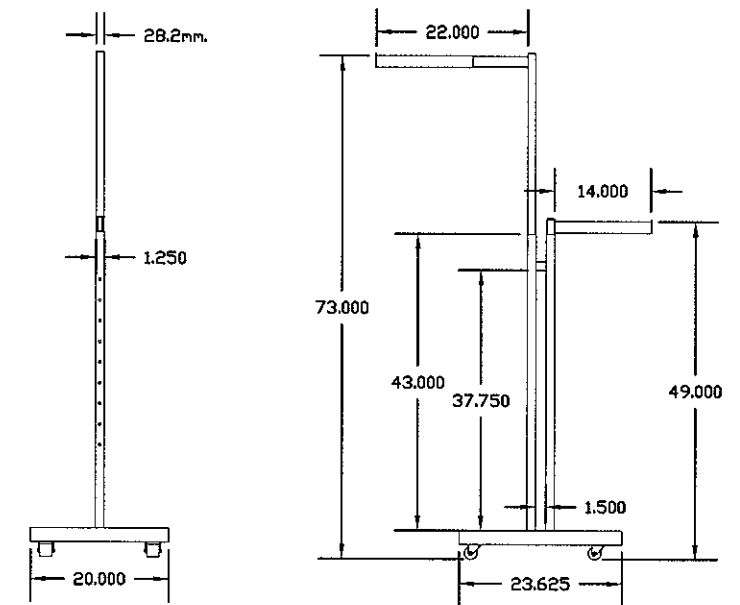
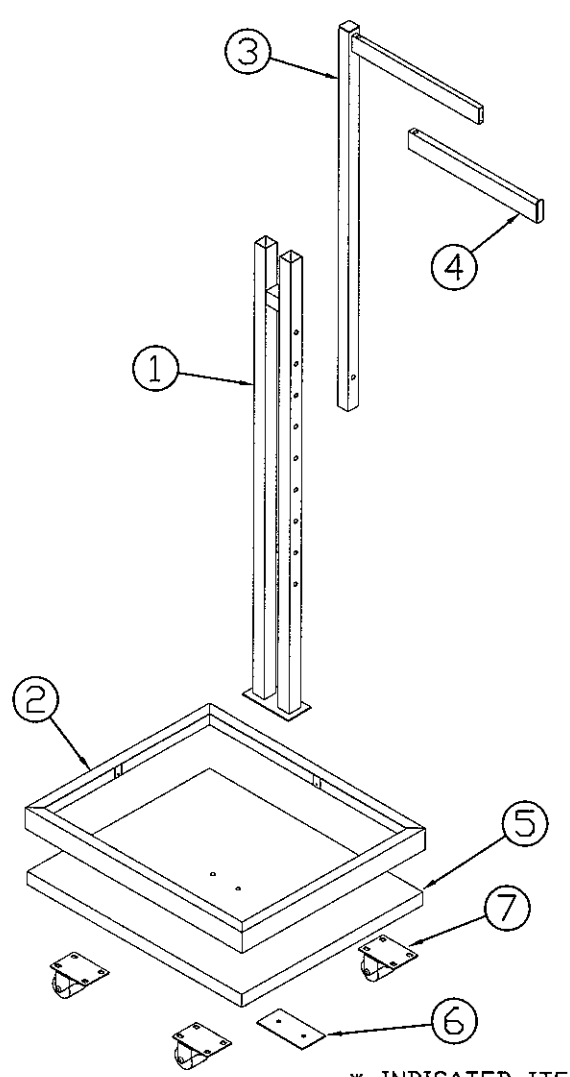


10



* 12	CA-135	SPRING CLIP (VALCO A-135)	2
* 11	CA-180	SPRING CLIP (VALCO A-180)	2
* 10	91309A591	5/16-18" X 2" HEX HEAD BOLT	2
* 9	92323A534	5/16-18" X 5/8" CAP SCREW # (92323A534)	16
* 8	C10X12SMS	#10 X 1/2" WOOD SCREW	4
7	MERVCASTER	2" X 1-13/16" SWIVEL CASTER	4
6	55001668	PLATE	1
5	62000366	WOOD BASE	1
4	29000110	FACEOUT	2
3	10000101	ARM	2
2	30000228	METAL BASE	1
1	32000233	UPRIGHT	1
ITEM	PART NO.	DESCRIPTION	QTY.

BILL OF MATERIALS

UNLESS OTHERWISE SPECIFIED DIMENSIONS ARE IN INCHES TOLERANCES ARE:			CUSTOMER MERVYN'S	
FRACTIONS: ± 1/32	DECIMALS: XXX ±.01 XXX ±.005	ANGLES: ± 1/2°	APPROVALS DRAWN JESSE AVILA	DATE 03-26-08
FINISH SATIN NICKEL & WHITE, HPL-II			CHK'D.	
			AP'D.	
			EDCB NO.	142480

 Pico Rivera, CA. (562) 949-2535		TITLE NM0310 ASSY.	
		SIZE B	REV.
SCALE N.T.S.		SHEET 1 OF 1	

* INDICATED ITEM NOT SHOWN

REVISIONS

REV.	DESCRIPTION	E.C.O. NO.	DATE	APPROVED
XX	XX	XX	XX	

THIS DRAWING IS THE EXCLUSIVE PROPERTY OF REEVE STORE EQUIPMENT CO. NO. 3D FILES AND MARKING FULL COPYRIGHT PROTECTION UNDER FEDERAL AND STATE LAW. THIS DRAWING CANNOT BE REPRODUCED, PHOTOCOPIED, DIGITALLY TRANSMITTED, OR REPRODUCED WITHOUT THE EXPRESS WRITTEN CONSENT OF REEVE STORE EQUIPMENT CO. COPYRIGHT © 2007, 2008, 2009, 2010. ALL RIGHTS RESERVED.

DO NOT SCALE DRAWING